



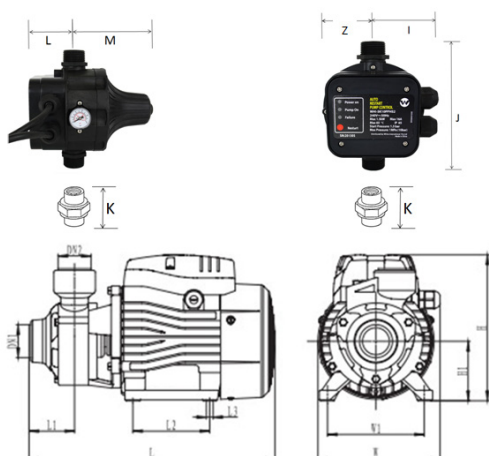
The Bianco 2.0 end suction peripheral turbine pump is an ideal device for low flow applications. They are especially suited for jacking pumps, commercial and industrial washdowns as well as domestic water boosting. They are also ideal for tank water transfer.

Suitable for clean water and in applications where there is flooded suction

The pump has the following features and benefits

- Automatic electronic pump control fitted and wired with plug and play leads so a licensed electrician is not required during installation.
- Includes fully electronic pump controller for automatic pump starting, stopping and restart after power loss and water loss.
- Run dry protection to prevent pump damage
- Automatic electronic control has in-built check valve to prevent water backflow through the pump.
- Corrosion resistant pump body and impeller to ensure pump durability
- Cataphoresis1 treatment of pump body for rust prevention to ensure no water discoloration or suspended particles
- High quality mechanical shaft seal and high quality bearings
- 240V single phase TEFC motor with in-built auto reset thermal overload to prevent the pump from overheating.

Liquid:	Electrical data:
Liquid Type: Clean Water Clean water temperature range: 2 – 40°C	Rated voltage: 220 (-6%) -240V (+6%) Mains frequency: 50 Hz P2 (kW): 0.37 (Shaft Power) Current: 2.5 amps Capacitor: 8 uF Motor duty: Continuous
Materials:	Motor type: Asynchronous, TEFC Motor protection: In-built thermal overload Ingress protection: IP X4 Insulation class: F Net weight: <u>6.5</u> kg
Pump body, Cast Iron (Cataphoresis treated) Impeller : Brass (Zinc Free) Mechanical seal: Carbon/Ceramic/Nitrile O rings: Nitrile Power Cable: 2m Cable H05 3G1.0	Hydraulic Data:
Installation:	Max Head: 45 m Max Flow: <u>37</u> l/min Number taps: 3
Maximum ambient temperature: 40oC Maximum operating pressure: 6 bar Pipe connections suction/discharge: 1" BSPF / 1" BSPM Dimensions: 315mm L x 365mm H x 200mm W	



DN1	DN2	L (mm)	W (mm)	H (mm)	L1 (mm)	L2 (mm)	W1 (mm)
1"	1"	260	132	155	46.5	80	100

H1 (mm)	L3 (mm)	Z (mm)	I (mm)	J (mm)	K (mm)	L (mm)	M (mm)
63	8.5	64	81	177	70	62	116

1. Cataphoresis is an electrochemical coating process for metallic surfaces widely used in the industry due to its penetration and long life, either as a priming coat or finished paint for corrosion resistance.

