

**Receiver**

 Society  
 Reference  
 Address  
 Phone  
 Fax  
 E-mail

**From**

 White International Pty Ltd  
 52-60 Ashford Avenue, Milperra, NSW, 2214  
 -  
 -  
 pumpsales@whiteint.com.au

**Item n° :**

102972280

**Model :**

EUROINOX 40/50 M-P

**Pump data**

 Pressure rating : 8 bar (800 kPa)  
 Min. fluid temperature : 0 °C  
 Max. fluid temperature : 35 °C  
 Max. Temperature operating : 40 °C

**Requested data**

 Flow : 0.00 m³/h  
 Head : 0.00 m  
 Fluid : Water, pure  
 Fluid Temperature : 20 °C  
 Density : 0.9983 kg/dm³  
 Kinematic viscosity : 1.005 mm²/s  
 Vapor pressure : 2.34 kPa

**Hydraulic data (duty point)**

 Flow :  
 Head :

**Materials**

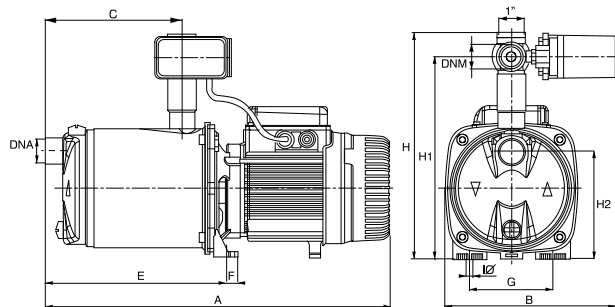
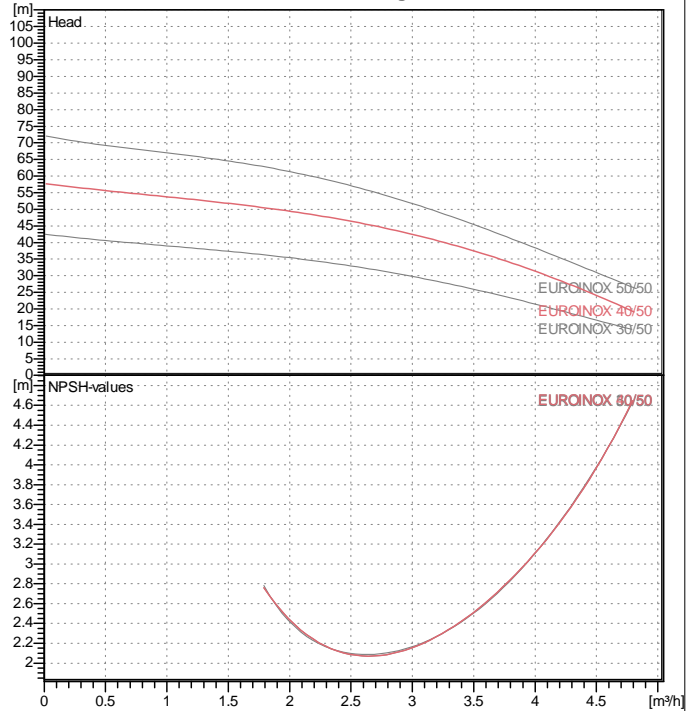
 Pump body : AISI 304 X5 Cr Ni 1810 UNI 6900/71  
 Impeller : Technopolymer  
 Shaft with rotor : AISI 304 X5 Cr Ni 1810 UNI 6900/71  
 OR ring : Nbr  
 Diffuser : Technopolymer  
 Mechanical seal : Carbon/Ceramic  
 Disc seal : AISI 304 X5 Cr Ni 1810 UNI 6900/71

**Motor data**

 Motor brand : DAB  
 Nominal power P2 : 0.75 kW  
 Rated speed : 2800 1/min  
 Rated voltage : 1~ 220-240 V 50 Hz  
 Nominal current : 5.2 A  
 Degree of protection : IP 44

**Pump connection**

 Suction side : 1" G / 8 bar (800 kPa)  
 Discharge side : 1" G / 8 bar (800 kPa)

**Curve tolerance according to ISO 9906**

**Dimensions in mm**

A	458	DNM	1" NPT	H	300		
B	226	E	241	H1	268		
C	166	F	13.5	H2	143		
DNA	1" NPT	G	111	IØ	9		

**Weight :** 15.8 kg



# PERFORMANCE CURVES

2014-06-26

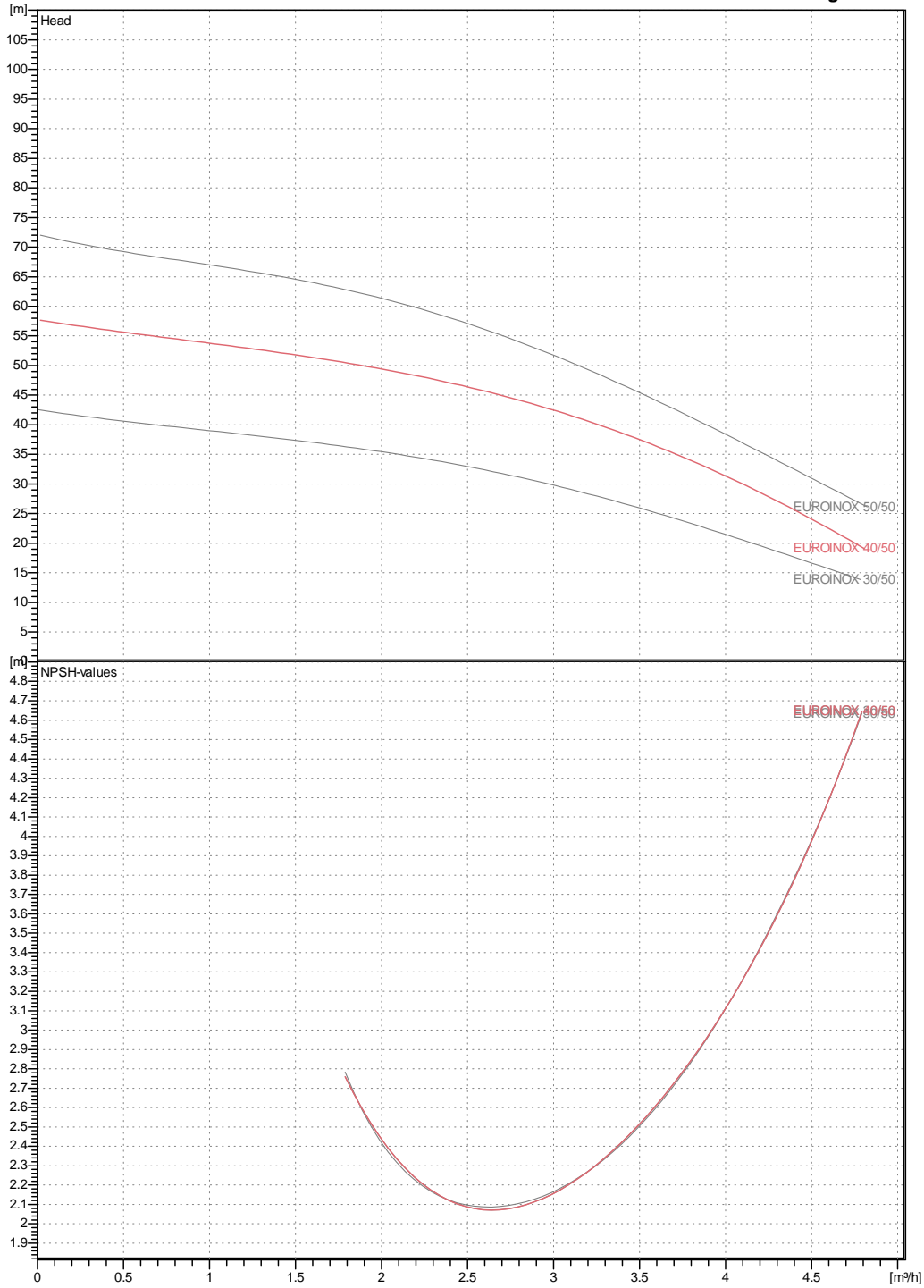
Page 2 / 3

DAB PUMPS S.p.A.  
Via Marco Polo, 14 - 35035 Mestrino (PD), Italy  
Tel. +39 049 5125000 - Fax +39 049 5125950  
www.dabpumps.com

	<b>Receiver</b>	<b>From</b>
Society Reference Address Phone Fax E-mail		White International Pty Ltd . 52-60 Ashford Avenue, Milperra, NSW, 2214 - - pumpsales@whiteint.com.au

## EUROINOX 40/50 M-P

Curve tolerance according to ISO 9906



Hydraulic data (duty point)

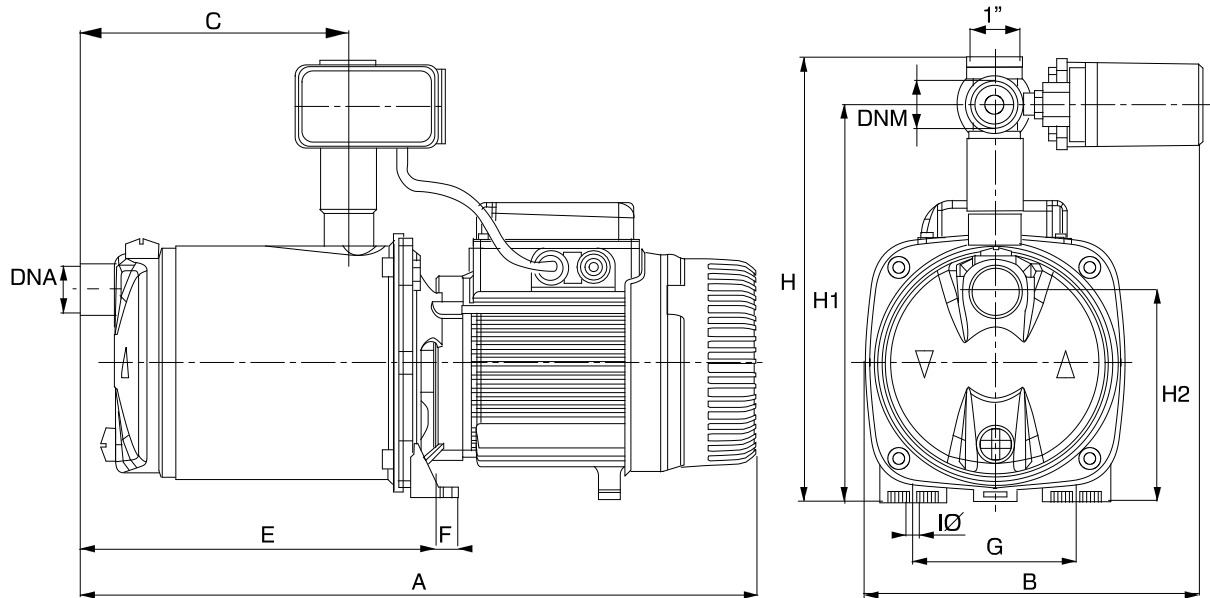
Suction side 1" G 8 bar (800 kPa)	Discharge side 1" G 8 bar (800 kPa)	Flow : 0 m³/h	Head : 0 m	Rated speed: 2800 1/min
Project	Project ID	Created by	Created on <b>2014-06-26</b>	

**Receiver**
**From**

 Society  
 Reference  
 Address  
 Phone  
 Fax  
 E-mail

 White International Pty Ltd  
 .  
 52-60 Ashford Avenue, Milperra, NSW, 2214  
 .  
 .  
 pumpsales@whiteint.com.au

## EUROINOX 40/50 M-P


**Dimensions in mm**

1	A	458	H2	143		
2	B	226	I Ø	9		
3	C	166				
4	DNA	1" NPT				
5	DNM	1" NPT				
6	E	241				
7	F	13.5				
8	G	111				
9	H	300				
10	H1	268				

**Pump connection**

Suction  
 1" G  
 8 bar (800 kPa)

Discharge  
 1" G  
 8 bar (800 kPa)

Project

Project ID

Created by

Created on

**2014-06-26**