



DATA SHEET

DAB PUMPS S. p. A.
Via Marco Polo, 14 - 35035 Mestrino (PD) - Italy
Ph. +39 049 9048811 - Fax +39 049 9048847
Http://www.dabpumps.com

2013-03-19

Page 1 / 3

Receiver

From

Societa
Reference
Address
Telephone
Fax
E-mail

Item no. 102972360

Pump data :

Model :
EUROINOX 40/80 M-P
Pressure rating : 8 bar (800 kPa)
Min. fluid temperature : 0 °C
Max. fluid temperature : 35 °C
Max. Temperature operating : 40 °C

Requested data :

Flow 0.00 m³/h
Flow 0.00 m
Fluid : Water, pure
Fluid Temperature : 20 °C
Density : 0.9983 kg/dm³
Kinematic viscosity 1.005 mm²/s
Vapor pressure : 2.34 kPa

Hydraulic data (duty point)

Flow

Flow

Materials :

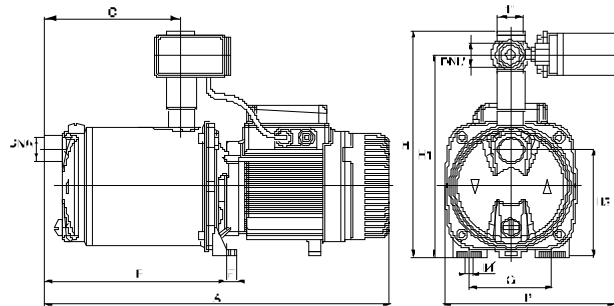
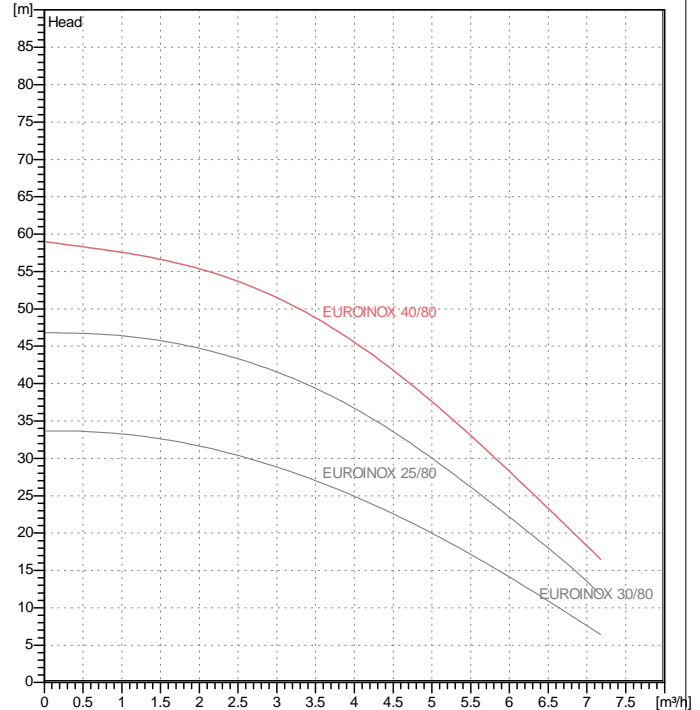
Pump body AISI 304 X5 Cr Ni 1810 UNI 6900/71
Impeller Technopoly mer
Shaft with rotor AISI 304 X5 Cr Ni 1810 UNI 6900/71
OR ring Nbr
Diff usor Technopoly mer
Mechanical seal Carbon/Ceramic
Disc seal AISI 304 X5 Cr Ni 1810 UNI 6900/71

Motor data :

Trade mark : DAB
Nominal power P2 : 1 kW
Rated speed: 2800 1/min
Rated voltage : 1~ 230 V 50 Hz
Nominal current : 6.3 A
Degree of protection : IP 44

Pump connection

Suction side 1 " G / 8 bar (800 kPa)
Discharge side 1 " G / 8 bar (800 kPa)



Dimension

mm

A	458	DNM	1" G	H	300		
B	226	E	241	H1	268		
C	166	F	13.5	H2	143		
DNA	1" G	G	111	IØ	9		

Weight : 16.5 kg



PERFORMANCE CURVES

DAB PUMPS S. p. A.
Via Marco Polo, 14 - 35035 Mestrino (PD) - Italy
Ph. +39 049 9048811 - Fax +39 049 9048847
Http://www.dabpumps.com

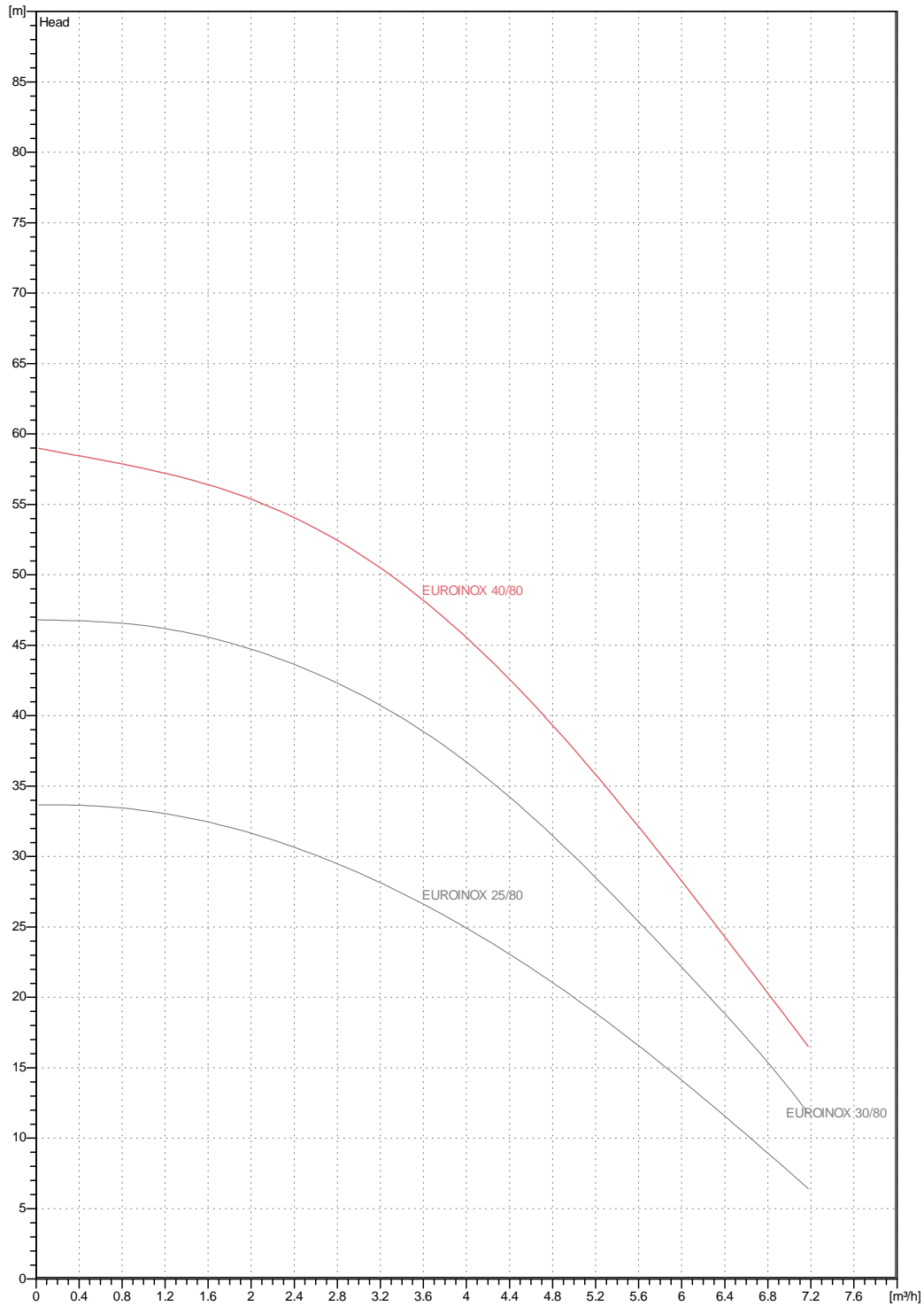
2013-03-19

Receiver

From

Societa
Reference
Address
Telephone
Fax
E-mail

EUROINOX 40/80 M-P



Hydraulic data (duty point)

Suction side 1" G / 8 bar (800 kPa)	Discharge side 1" G / 8 bar (800 kPa)	Flow 0 m³/h	Flow 0 m	Speed 2800 1/min
Project	Project ID	Created by	Created on 2013-03-19	



DIMENSIONAL DRAWING

2013-03-19

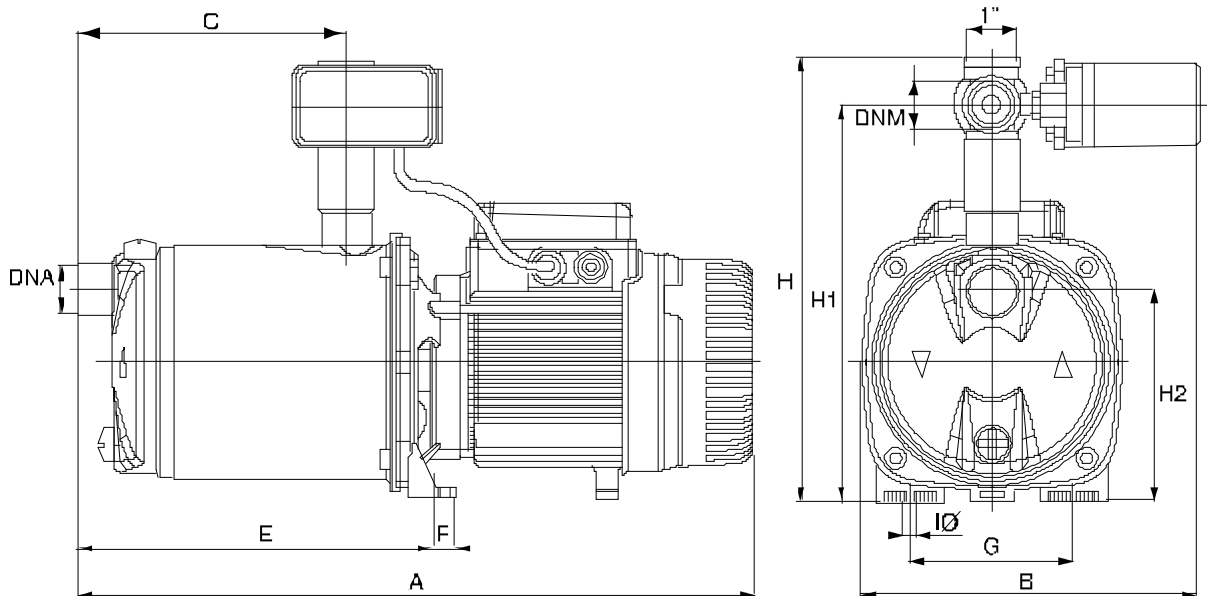
DAB PUMPS S. p. A.
Via Marco Polo, 14 - 35035 Mestrino (PD) - Italy
Ph. +39 049 9048811 - Fax +39 049 9048847
Http://www.dabpumps.com

Receiver

From

Societa
Reference
Address
Telephone
Fax
E-mail

EUROINOX 40/80 M-P



Dimensions in mm

Pump connection

Item	Symbol	Value	Symbol	Value						Pump connection	
1	A	458	H2	143							Suction 1 " G 8 bar (800 kPa) Discharge 1 " G 8 bar (800 kPa)
2	B	226	I Ø	9							
3	C	166									
4	DNA	1" G									
5	DNM	1" G									
6	E	241									
7	F	13.5									
8	G	111									
9	H	300									
10	H1	268									

Project	Project ID	Created by	Created on 2013-03-19
---------	------------	------------	---------------------------------