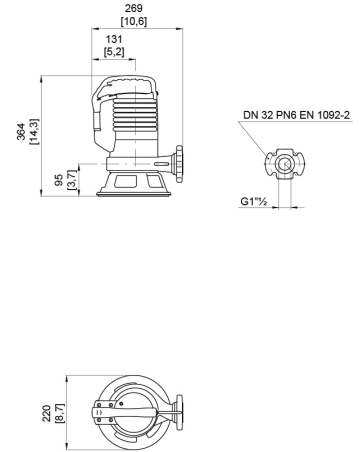
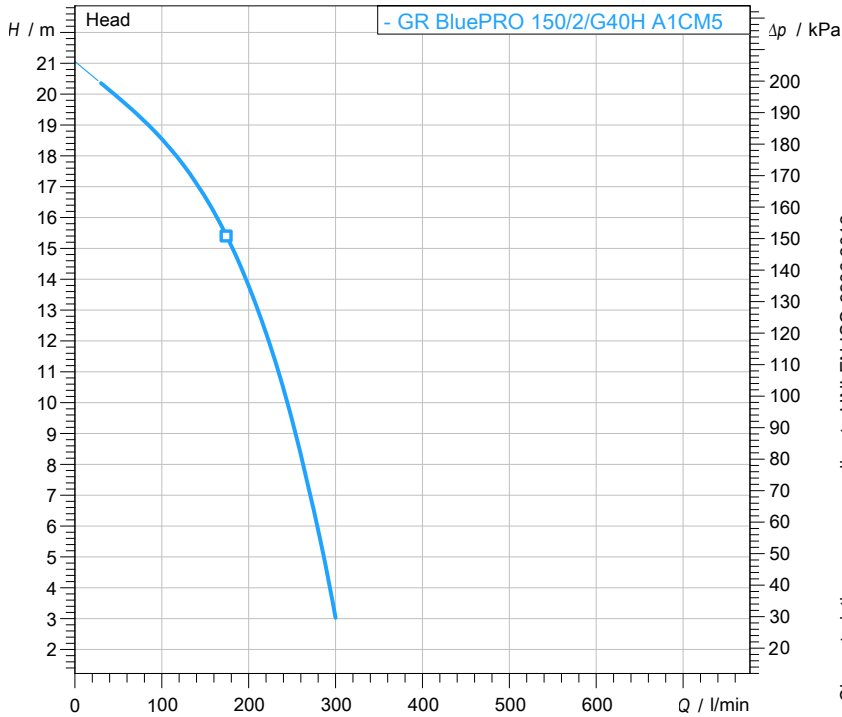




water solutions

Data sheet

GR BluePRO 150/2/G40H A1CM5**blue**
PROFESSIONAL
series**Technical specification****1 ~ 50 Hz**[mm]
[inch]**Pump**

Series	BluePRO series
Pump name	GR BluePRO 150/2/G40H A1CM5
Configuration	NGDD1H23N00CX
Standard	EC 60079-0, IEC 60079-15
IECeX mark	Ex nA nC IIC T3 Gc
ATEX mark	II 3G k Ex nA nC IIC T3 Gc

Operating limits (standard pumps)

Max. ambient temperature	40 °C
Max. density treated liquid	1 100 kg/m ³
Max. immersion depth	10 m
pH treated liquid	6 ÷ 14
Max. start per hour (equally distributed)	30
Wet/dry use	WET
Max. acoustic pressure level	70 dB
Operating mode	S1 - Continuous use

Motor data

Rated voltage	230 V
Frequency	50 Hz
Motor phases	1~
Number of poles	2
Rated power P2	1,10 kW
Incoming power P1	1,60 kW
Rated current	7,5 A
rpm	2780 1/min
cos φ	0,95
Rated torque	3,8 Nm
Start	
Degree of protection	IP 68
Insulation class	F

Construction materials

Case	Cast iron EN-GJL 250
Shaft	Stainless steel - AISI 420
Hydraulic	Cast iron - EN-GJL 250
Impeller	Cast iron - EN-GJL 250
Painting/Coating	Bi-epoxy 80 μm
Screws	Stainless steel - Class A2-70
Gaskets	NBR
Foot base (if present)	Cast iron - EN-GJS 600
Cutter	Chromium steel - X102 CrMo17 KU
Cutting disk	Chromium steel - X102 CrMo17 KU

Hydraulic

Type	GR (Impeller with grinder system)
Free passage	0 mm
Impeller type	Open channel impeller with grinder system
Max. hydraulic efficiency	
Suction	-
Discharge	DN 32 - G 1"1/2 EN 1092-2
Curve tolerance	UNI EN ISO 9906:2012

Construction features

Power Supply to Control/Starter Box	3G1
Control/Starter Box to pump	4G1
Cable length	10 mt - Shuko plug
Mechanical seals	
Additional drilling	-
Weight*	24 kg
Electrical variant	Thermal protection, Starting Capacitor, Running Capacitor, float switch on the

* cable's weight not included

Rev. 0 - 16-12-2014

All data shown are not binding. Zenit reserves the right to change data and dimensions without notice.

Created on 2017-10-12

Zenit.com

Page 1 / 3



water solutions

Data sheet

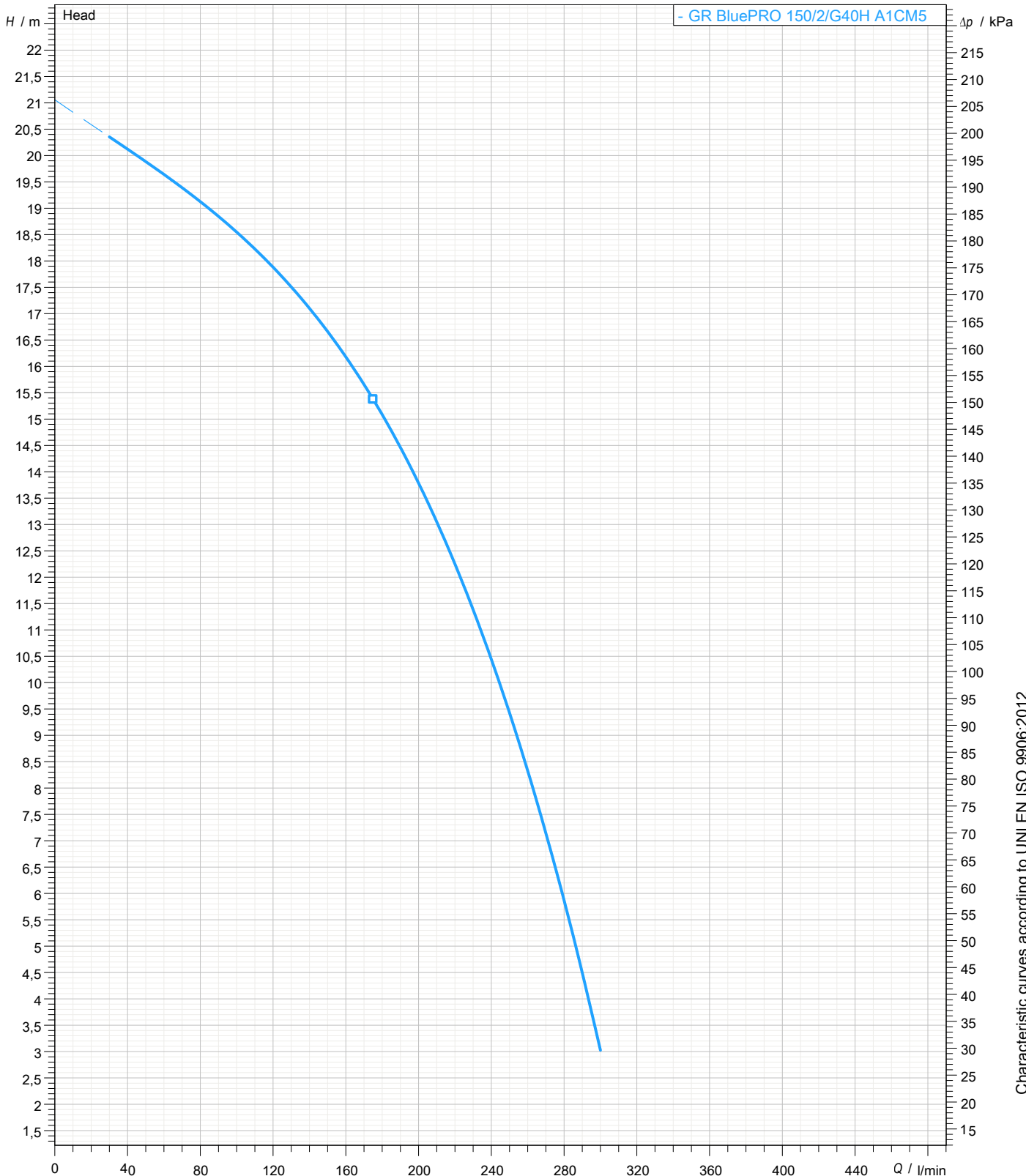
GR BluePRO 150/2/G40H A1CM5

blue
PROFESSIONAL
series

Pump performance curves

1 ~ 50 Hz

Hydraulic type GR (Impeller with grinder system)		Impeller type Open channel impeller with grinder system		Free passage 0.0 mm	Discharge DN 32 - G 1"1/2	Suction -
DUTY POINT						
Flow	Head	Shaft power P2	Hydraulic efficiency	Density 998,3 kg/m ³	Viscosity 1,005 mm ² /s	



Characteristic curves according to UNI EN ISO 9906:2012



water solutions

Data sheet

GR BluePRO 150/2/G40H A1CM5

blue
PROFESSIONAL
series

Dimensional drawing

1~ 50 Hz

Installation type Installation with bottom coupling device - Horizontal/vertical outlet

WET/DRY use: WET

Discharge: DN 32 - G 1 1/2 EN 1092-2

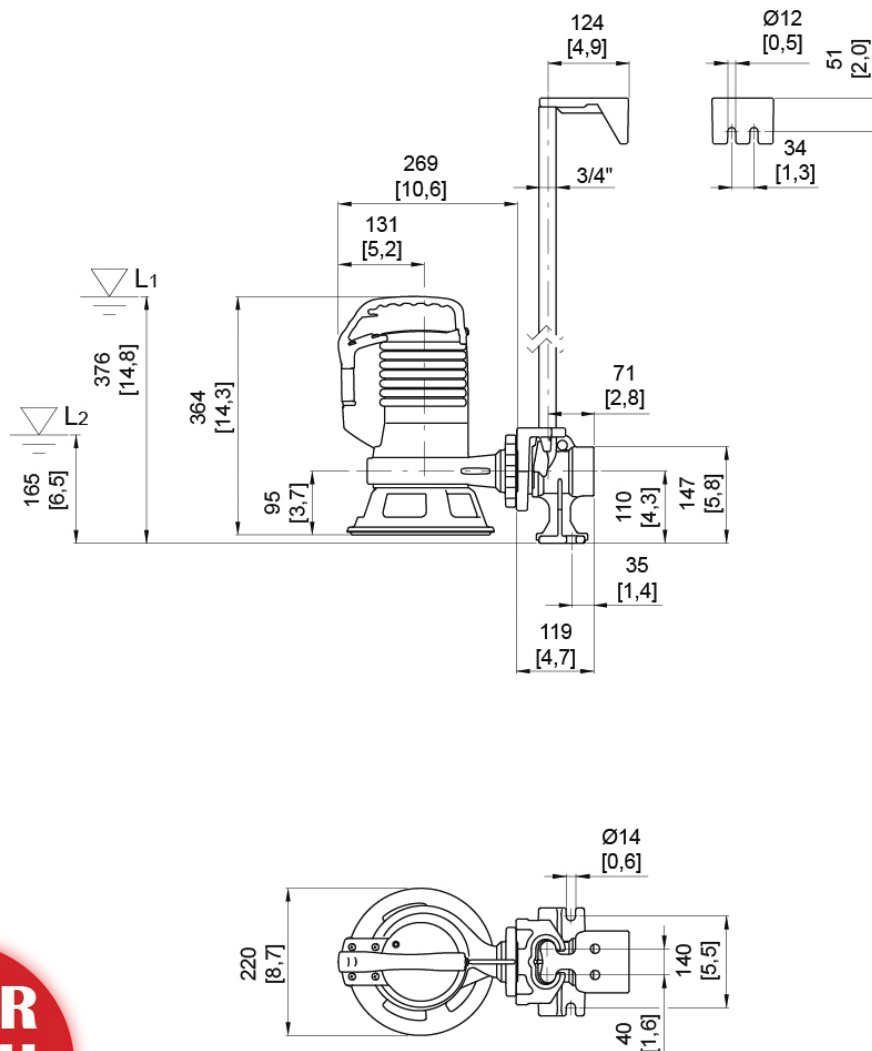
Suction: -

Pressure rating (suction/discharge): PN 6

Accessory * : DAC 32-50/G50H-G50V+KAF 3/4" EN (P)

Accessory code * : 9028.010

* Accessory must be ordered separately



L1: Minimum operating level for continuous use
L2: Minimum operating level for discontinuous use

[mm]
[inch]