



water solutions

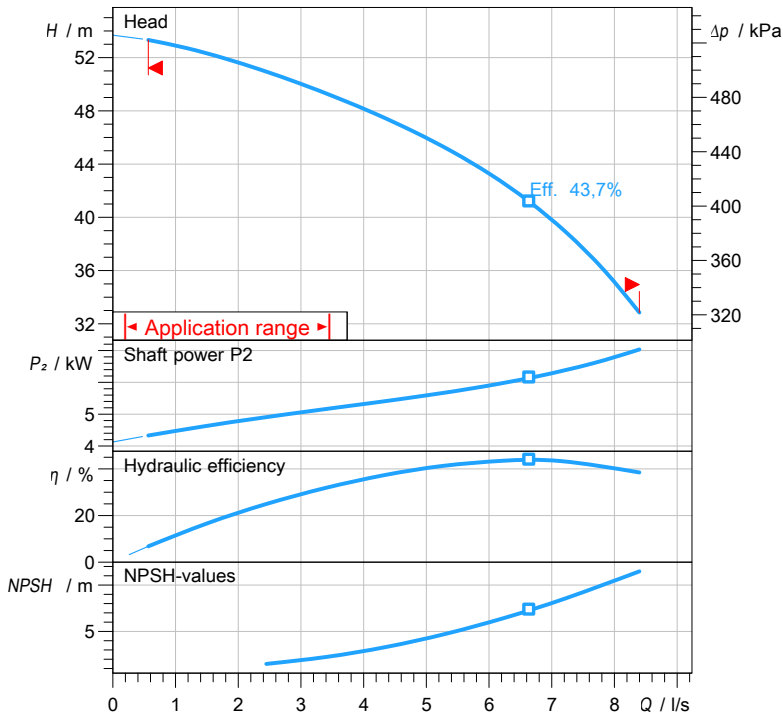
# Data sheet

## GRG 1000/2/G50H A0FT5

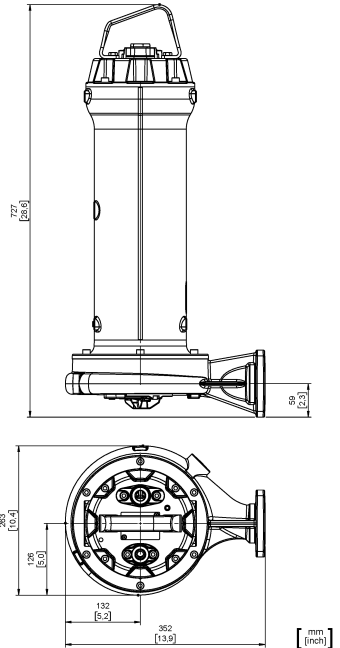
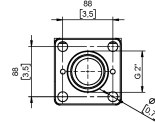

**GREY**  
series

### Technical specification

3~ 50 Hz



Characteristic curves according to UNI EN ISO 9906:2012  
P<sub>2</sub> < 10kW: paragraph 4.4.2  
10kW < P<sub>2</sub> < 100kW: Grade 3B  
P<sub>2</sub> > 100kW: Grade 2B



#### Pump

Series	GREY series
Pump name	GRG 1000/2/G50H A0FT5
Configuration	NGT5B5104N00EX
Standard	ATEX 2014/34/EU
ATEX mark	II 2G Ex db IIB T4 Gb Ex h IIB T4 Gb

#### Operating limits (standard pumps)

Max. ambient temperature	40 °C
Max. density treated liquid	1100 kg/m <sup>3</sup>
pH treated liquid	6 ÷ 14
Max. start per hour (equally distributed)	30
Wet/dry use	WET
Max. acoustic pressure level	70 dB
Operating mode	S1 - Continuous use

#### Motor data

Rated voltage	400 V
Frequency	50 Hz
Motor phases	3~
Number of poles	2
Rated power P2	7,50 kW
Incoming power P1	8,51 kW
Rated current	13,7 A
rpm	2873 1/min
Efficiency	88,1 %
cos φ	0,894
Rated torque	24,9 Nm
Start	Direct starting
Starting current	92,1 A
Degree of protection	IP 68
Insulation class	H
Capacitor	
Starting Capacitor	

#### Construction materials

Case	Cast iron EN-GJL 250
Shaft	Stainless steel AISI 431
Hydraulic	Cast iron EN-GJL 250
Impeller	Cast iron EN-GJL 250
Painting/Coating	Bi-epoxy 200 μm sea water resistant
Screws	Stainless steel - Class A2-70
Gaskets	NBR
Cutter	Chromium steel - X102 CrMo17 KU
Cutting disk	Chromium steel - X102 CrMo17 KU

#### Construction features

Cooling system	No cooling jacket
Main cable	4G1,5 + 3x1
Cable length	10 mt
Mechanical seals	2 in silicon carbide (2SiC)
Additional drilling	-
Weight*	68,2 kg
Electrical variant	Thermal protection and leakage sensor

\* cable, stand and guiding system excluded

#### Hydraulic

Type	GR (Impeller with grinder system)
Free passage	0 mm
Impeller type	Open channel impeller with grinder system
Max. hydraulic efficiency	43,7 %
Suction	
Discharge	DN 32 - G 2" EN 1092-2

Rev. 0 - 16-12-2014

All data shown are not binding. Zenit reserves the right to change data and dimensions without notice.

Created on 2019-11-05

zenit.com

Page 1 / 3



water solutions

# Data sheet GRG 1000/2/G50H A0FT5

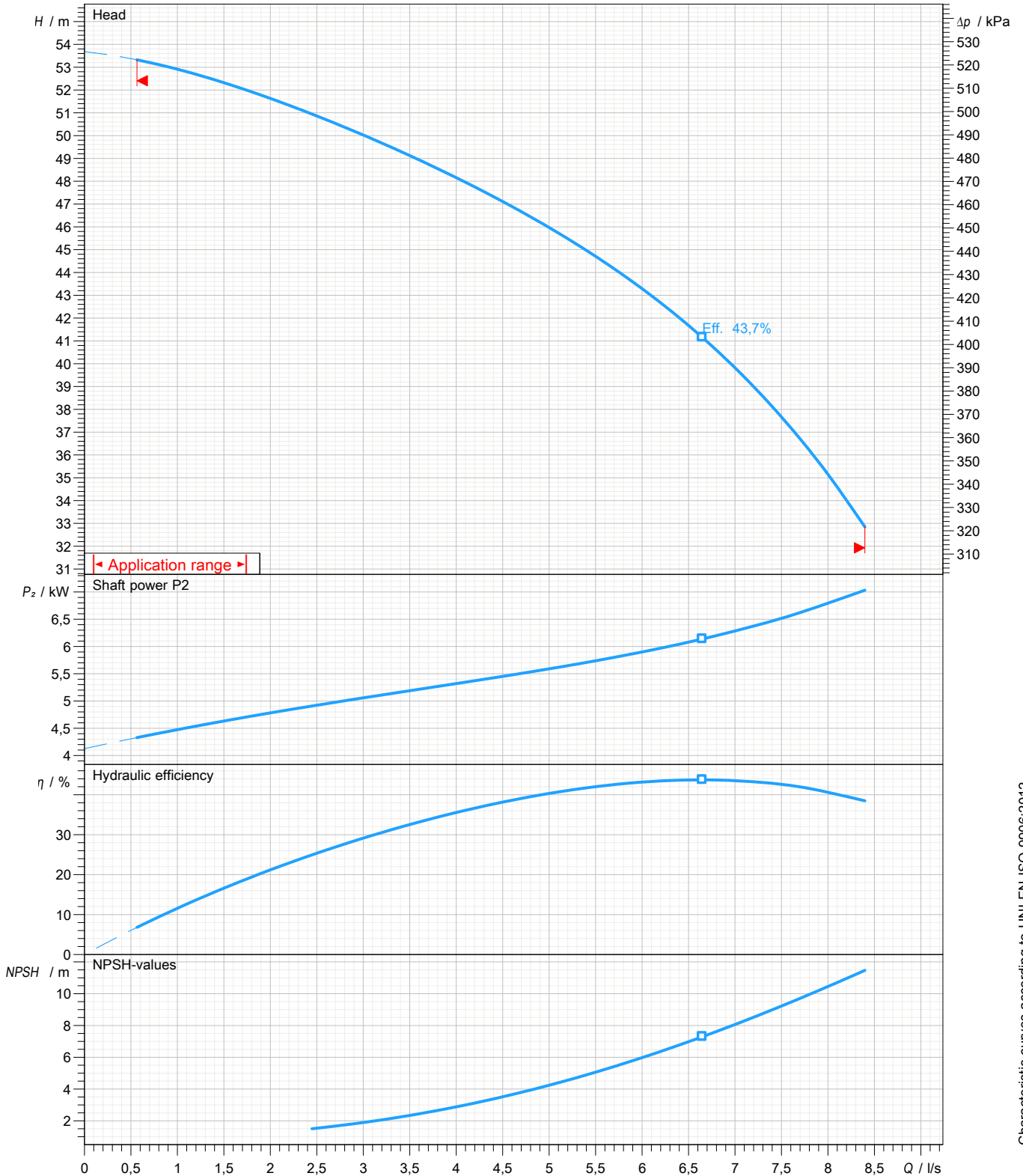


GREY  
series

## Pump performance curves

3~ 50 Hz

<b>Hydraulic type</b> GR (Impeller with grinder system)		<b>Impeller type</b> Open channel impeller with grinder system		<b>Free passage</b> 0 mm	<b>Discharge</b> DN 32 - G 2"	<b>Suction</b>
DUTY POINT						
<b>Flow</b>	<b>Head</b>	<b>Shaft power P2</b>	<b>Hydraulic efficiency</b>	<b>Density</b> 998,3 kg/m <sup>3</sup>	<b>Viscosity</b> 1,005 mm <sup>2</sup> /s	



Characteristic curves according to UNI EN ISO 9906:2012  
 P2<10kW: paragraph 4.4.2  
 10kW<P2<100kW: Grade 3B  
 P2>100kW: Grade 2B



water solutions

Data sheet

GRG 1000/2/G50H A0FT5

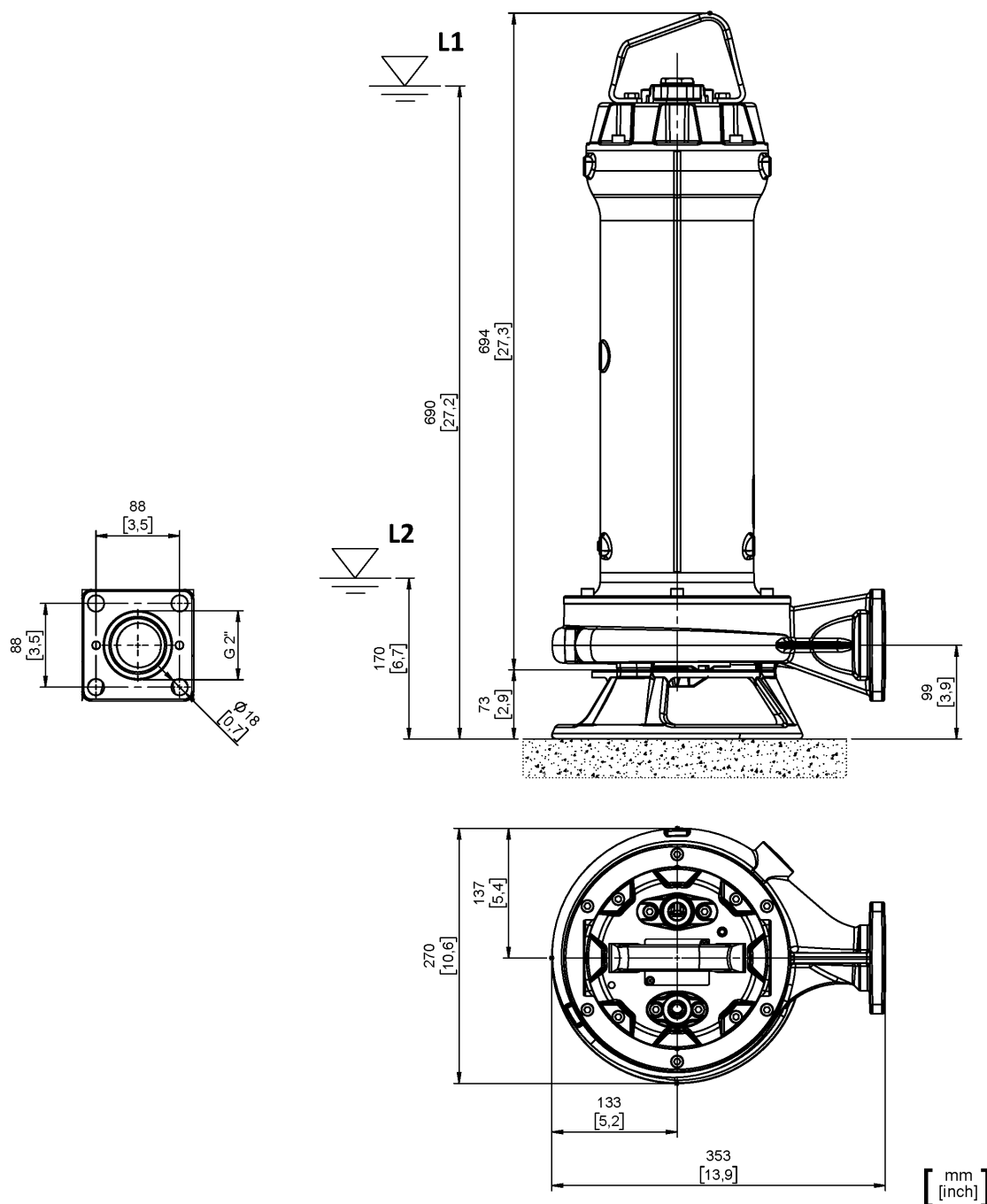


GREY series

# Dimensional drawing

3~ 50 Hz

<b>Installation type</b> Installation with base plate		
<b>Wet/dry use</b> WET	<b>Drilling variant</b> N	<b>Flushing valve - drilling</b> -
<b>Discharge</b> DN 32 - G 2" EN 1092-2	<b>Suction</b>	<b>Pressure rating (suction/discharge)</b> PN 6
<b>Accessory</b> KBS 3F I184 (S)		<b>Accessory code</b> 9024.006
<b>Note: Accessory must be ordered separately</b>		



L1: Minimum operating level for continuous use

L2: Minimum operating level for discontinuous use