

PRODUCT DATA SHEET

CLA INOX240A • 807724



BRAND



PRODUCT DETAILS

The Claytech Self-Priming Inox Series multistage pump is well-known for its quiet and reliability in the Australian market. Designed for use in a medium to large home, it is more energy efficient than a jet pump and can self prime to a depth of 4 meters. This makes it ideal for above and below ground rainwater tanks.

BENEFITS

- Self priming enables the pump to draw reliably from water lower than the pump inlet
- High flow, flat consistent performance curve.
- Complies with AS/NZS 4020 requirements

FEATURES

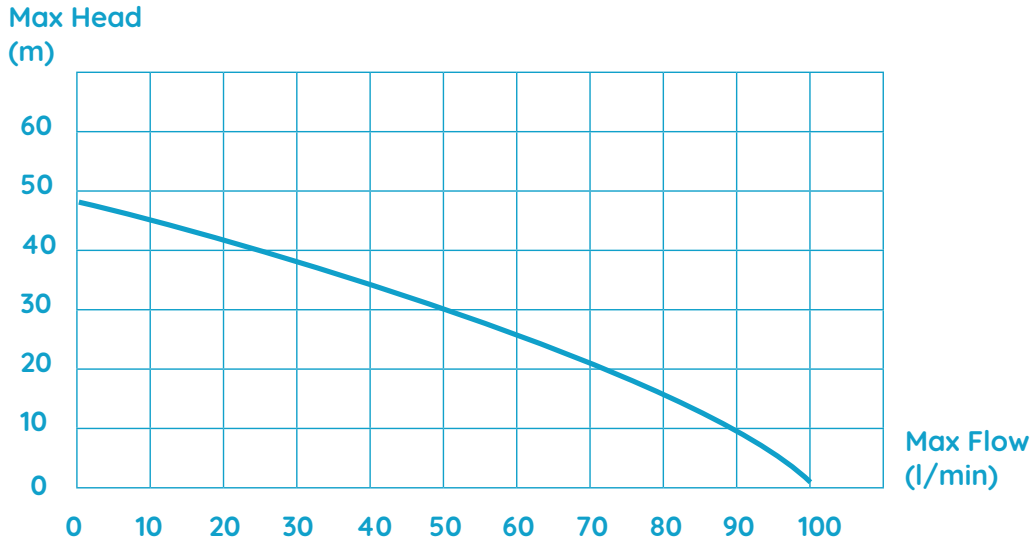
- Multi-stage pump
- Quiet, reliable operation
- Designed for larger homes
- Self-Priming
- Automatic Operation - adjustable start pressure
- Controller includes a pressure gauge
- Inbuilt dry run protection

TECHNICAL DATA

| | |
|------------------------|---|
| P1 RATED POWER (W) | 720W |
| MAX. FLOW [LPM] | 100 lpm |
| MAX. HEAD [M] | 48m |
| WORKING TEMPERATURE | < 40°C |
| LIQUID TEMPERATURE | 2°C - 35°C |
| MAX. WORKING PRESSURE | 6 Bar |
| MOTOR DUTY | S1 Continuous |
| MOTOR PROTECTION LEVEL | Class F |
| PUMP BODY | Stainless Steel |
| PUMP INTERNALS | Composite |
| MOTOR PROTECTION | In-built auto re-setting thermal overload |
| CAPACITOR | 16 uF +/-5% 450V |

| | |
|---------------------|-------------------------------------|
| RATED VOLTAGE | 220V-240V 50 Hz |
| RATED CURRENT | 4.5A @ 230V |
| POWER CABLE TYPE | 2m H07RN-F |
| PROTECTION CLASS | IPX4 |
| INLET | 1" BSPF |
| OUTLET | 1" BSPF |
| MECHANICAL SEAL | Carbon/Ceramic |
| MOTOR SHAFT | Stainless Steel |
| IMPELLER MATERIAL | Composite |
| AUTOMATION FUNCTION | Yes, with adjustable start pressure |
| NET WEIGHT (KG) | 13.0 kg |
| PACKAGE DIMENSION | 590Lx280Wx300H (mm) |

HYDRAULIC PERFORMANCE



DIMENSIONS

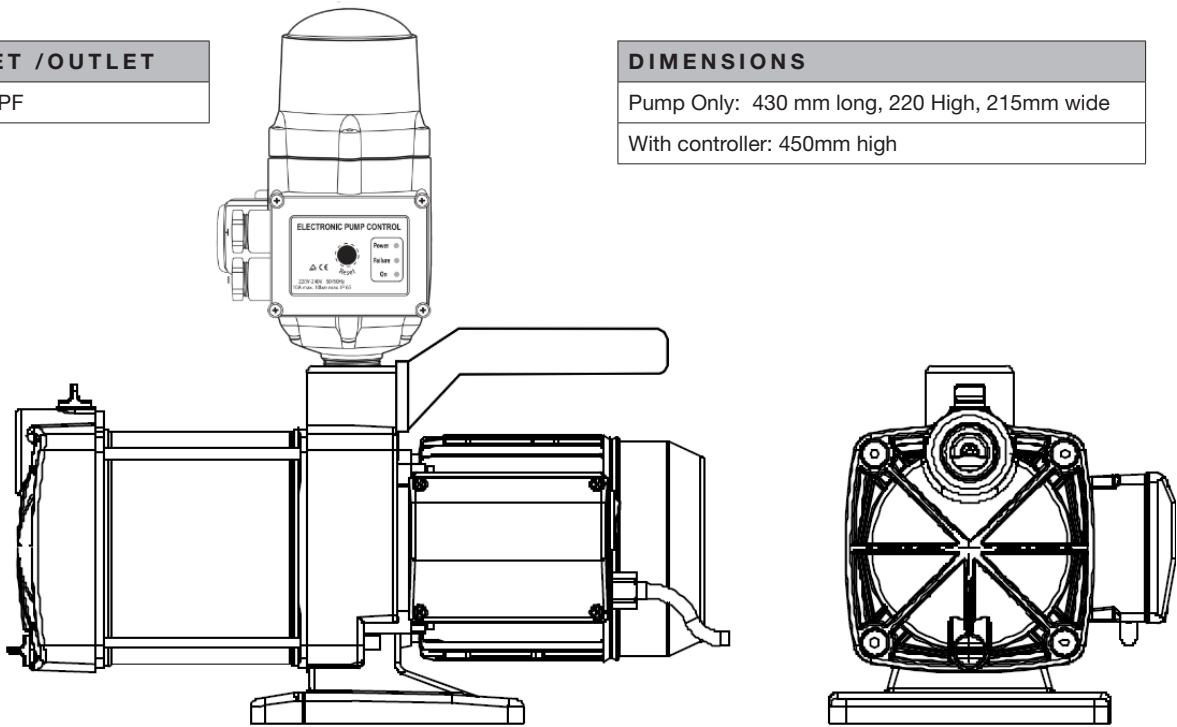
INLET / OUTLET

1" BSPF

DIMENSIONS

Pump Only: 430 mm long, 220 High, 215mm wide

With controller: 450mm high



BASE FOOT

170 mm long, 275mm wide

WARRANTY / CERTIFICATIONS

