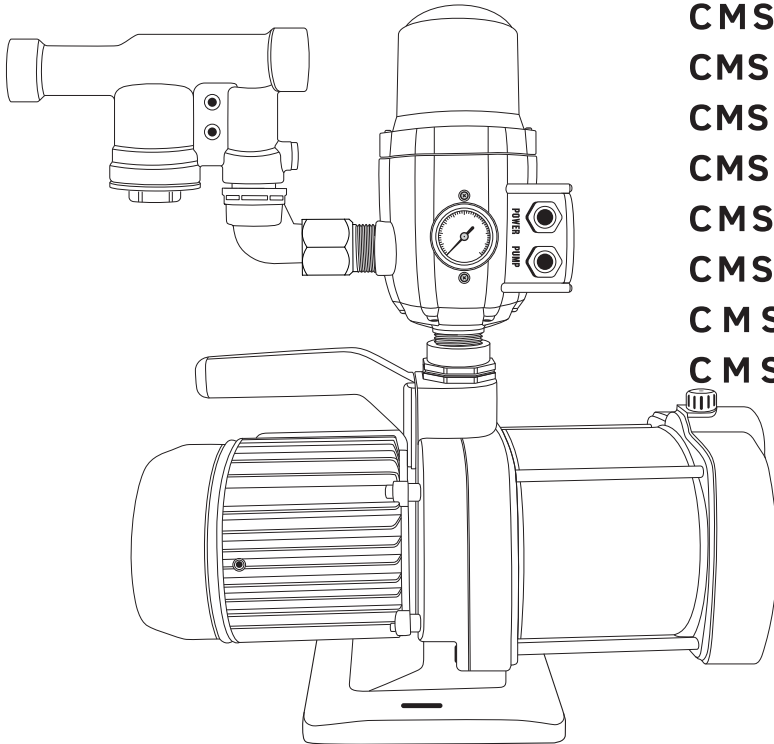


CMS WATER MANAGEMENT SYSTEM OWNERS MANUAL



CMS B3A1

CMS EB3A1

CMS I230A1

CMS I240A1

CMS I250A1

CMS C30A1

CMS C40A1

CMS C6A1

CMS C7A1

• INSTALLATION • OPERATION • TROUBLE SHOOTING •

For any assistance or after sales service call Claytech on our toll free number **1300 798 022**.
Please have a look at further quality Claytech products at www.claytech.com.au

CLAYTECH

Claytech is an Italian manufacturer forming part of the DWT Group of companies. The DWT Group is a fully owned subsidiary of GRUNDFOS, one of the world's largest pump companies. Claytech is a recognised world leader in domestic pumping solutions and water supply needs for the household.

Claytech has been represented in Australia by Clayton Engineering since 1999. Clayton Engineering has been involved in the Pumping Industry since 1975 providing solutions to the rural and domestic markets. It prides itself on providing the best product support and service in the domestic pumping market. Clayton Engineering is a privately-owned company allowing personal service to each one of our valued customers.

You have made the best choice of pumping system on today's market. Be reassured that we are only a phone call away if there are any questions about your purchase. Leader in product quality and support to you.

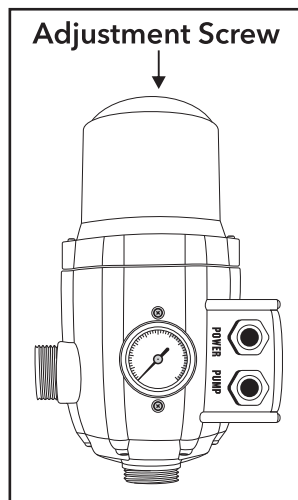
IMPORTANT SETUP INSTRUCTIONS

The **Aquatron Pump Controller** is preset to 2.2 bar start up. However if it needs to be adjusted to start the pump at 2.2 Bar cut in pressure then follow these steps.

This can be done once the pump has been installed and there is water in the tank.

The steps below will assist in the adjustment

1. Shut mains water off to pump/aquasaver
2. Start pump and once it reaches cut out slowly open a tap on the discharge side to identify where on the gauge the pump is cutting in ie: 1.5 Bar. This is important to determine for the amount of adjustment needed.
3. Once you identify the cut in pressure of the pump turn the power off to the pump and open the water tap to ensure the gauge returns to zero, close tap.
4. The screw on the top of the controller then needs to be adjusted clockwise with each full turn equalling 0.3 of a bar. If the cut in is 1.5 bar then two full turns will bring that up to 2.0 - 2.1 bar which is optimum.
5. Turn the power back on and when the pump shuts off retest for cut in pressure and adjust as per step 3 onwards to bring up to 2.0 bar.



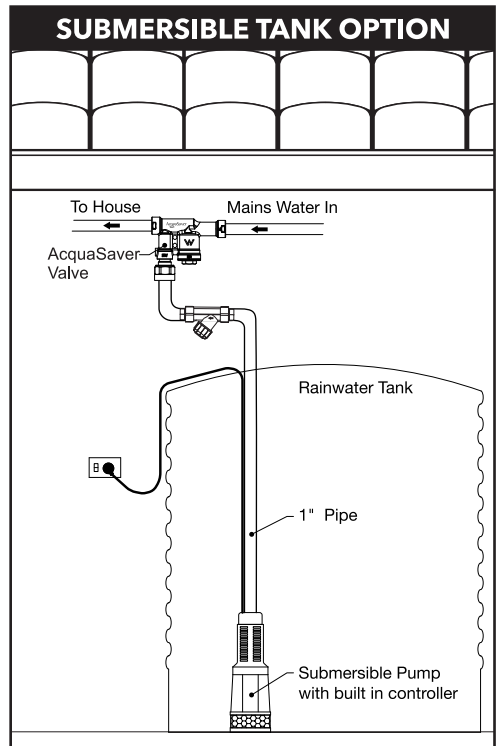
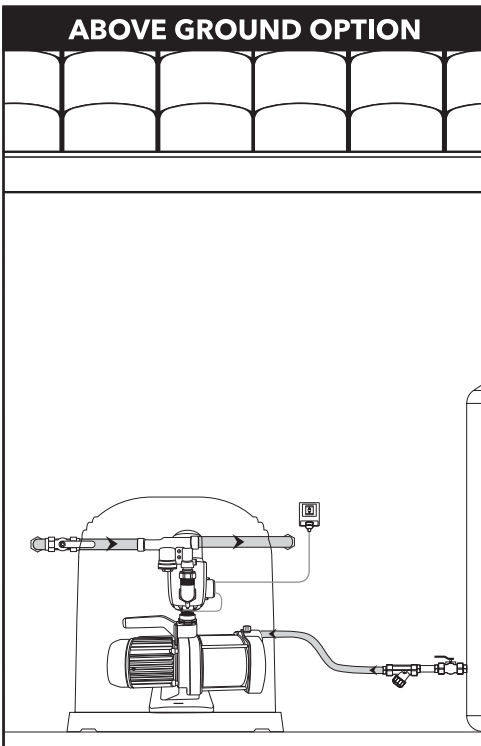
CONTENTS

1.0	INTRODUCTION	4
2.0	PRECAUTIONS	5
3.0	INSTALLATION AND START-UP	6
3.1	SURFACE PUMP	6
3.1.1	Assembling the System	6
3.1.2	Positioning and Connection to Rainwater Tank	6
3.1.3	Connecting Mains Water	7
3.1.4	Connecting House Delivery pipe	7
3.1.5	Connecting Power	7
3.1.6	Connecting the Pump	8
3.1.7	Priming the Pump	8
3.1.8	Starting the System	8
3.2	SUBMERSIBLE PUMP	9
3.2.1	Installing the Pump	9
3.2.2	Assembling the System using model 'Divertron' Pump	10
3.2.3	Assembling the System using a Conventional Submersible Pump	10
3.2.4	Connecting Mains Water	11
3.2.5	Connecting House delivery pipe	11
3.2.6	Connecting Power	11
3.2.7	Starting the system	12
4.0	TROUBLE SHOOTING	13
5.0	MAINTENANCE	18
6.0	GUARANTEE	18
7.0	SERVICE AND SUPPORT	19
8.0	TECHNICAL SPECIFICATIONS AND APPROVALS	19

1.0 INTRODUCTION

The Claytech CMS Water Management System is designed to provide available water to your house always preferentially using rainwater as the best environmental option. Under the Plumbing Code of Australia, rainwater is the preferred option for supply of water to household toilets, washing machine and garden watering.

Under normal conditions, when rainwater is available in your rainwater tank, the Claytech pump system will deliver this water to the house. When the rainwater tank is emptied, the CMS System will detect the lack of rainwater and provide mains water to your house.



2.0 PRECAUTIONS

Plumbing regulations vary between Municipal Councils. Check with your local council to ensure that you meet their regulations.

It is recommended that all plumbing work be performed by a licensed Plumber. All plumbing installations shall comply with the Plumbing Code of Australia. This will guarantee the integrity of the system and ensure warranty compliance.

All plumbing fittings in contact with mains water will have Watermark approval.

All electrical work including installation of power-points shall be performed by a licensed electrician. All electrical products and installation shall comply with the relevant Australian Standard.

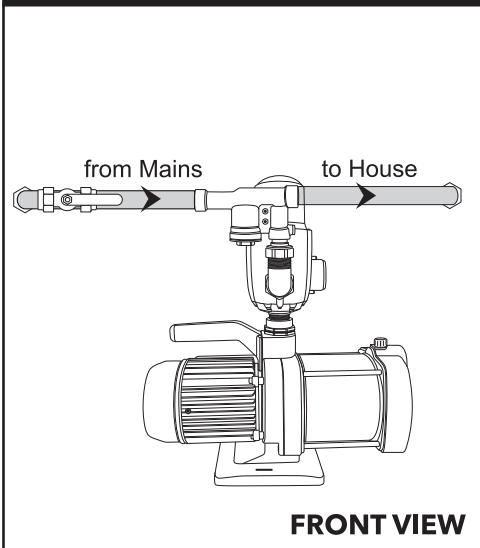
It is recommended to have your plumber install a manual bypass around the system to allow for future maintenance. This can be installed as illustrated below. This will enable mains water to be available to the toilets and washing machine when the pumping system is not functional.

When installing a manual bypass always check with your local council's regulations, they may require that you fit a RPZ valve or similar.

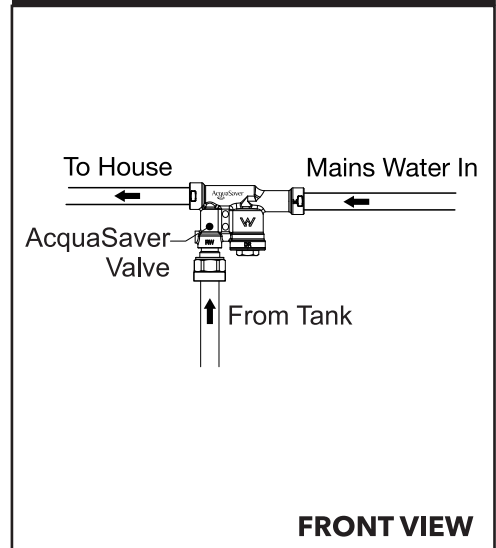
To protect this product and the end devices from debris, install a strainer in the mains and rainwater lines. Strainers should be inspected and cleaned regularly.

In any doubt, ring the Claytech Toll Free Number 1300 798 022

ABOVE GROUND OPTION



SUBMERSIBLE TANK OPTION



3.0 INSTALLATION AND START-UP

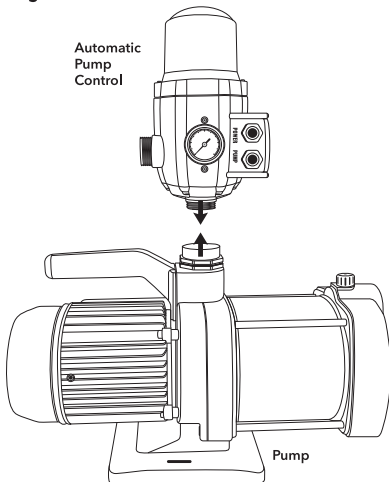
3.1 SURFACE PUMP

3.1.1 Assembling the System

Step 1

Connect the 'Automatic Pump Control' to the top connection of the rainwater pump. The 'Automatic Pump Control' is to be mounted so it sits vertical (that is, the words 'Automatic Pump Control' can be read looking from the side of the pump). Refer diagram no. 1a.

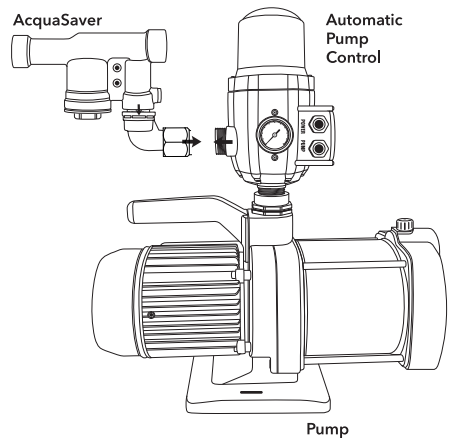
diagram no. 1a



Step 2

Connect the AcquaSaver, 1" BSP loose nut to the back of the 'Automatic Pump Control'. Ensure that the rubber washer (supplied) is inserted inside the nut before tightening. Tighten with spanner. Refer diagram no. 1b.

diagram no. 1b



3.1.2 Positioning the Rainwater Tank

The positioning of your pump relative to your rainwater tank is very important. The best position for your pump is level or below the bottom of the rainwater tank as per diagram no. 2. It is important that the pump is mounted on a flat solid surface that will not move in extreme weather conditions, such as rain. It is recommended that a concrete slab or a Claytech Polyslab be used. It is essential that a pump cover is used to protect the pumping system from rain and sunlight. This will ensure long life from the system.

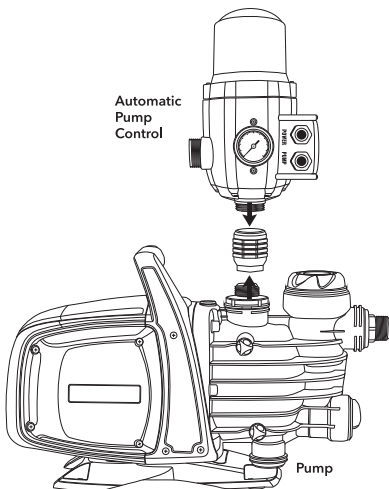
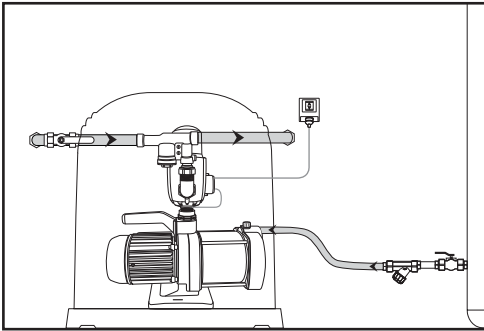


diagram no. 2

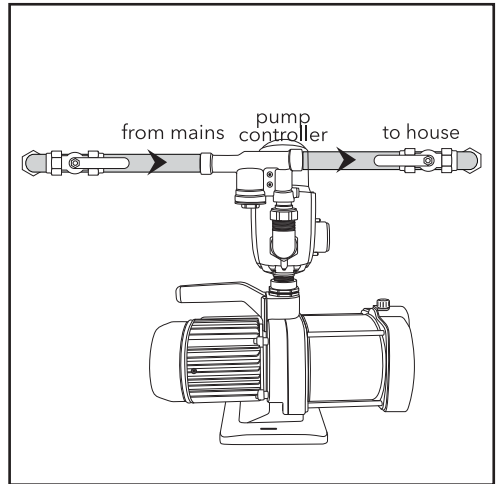


3.1.3 Connecting Mains Water

Warning! Test the mains pressure BEFORE installing the CMS Water Management System. CMS is not to be used if mains pressure goes above 1000KPa. If the pressure is above 500KPa, a pressure reducer must be installed. We recommend that a 500KPa pressure limiting valve be fitted to all installations of the AcquaSaver in domestic applications. If the static mains pressure is greater than 350KPa above the max pump pressure at the AcquaSaver, so the pump can completely shut off mains water. Failure to lift the pressure limiting the valve will result in the pump not starting even though there could be water in the tank available for use. Remember mains pressure in your area can change according to current water demands. Excessive pressure will cause damage that is not covered by warranty.

Mains water piping is to be connected to the AcquaSaver using the 1" BSP connection. Connection is marked 'm' this connection is with the arrow towards the AcquaSaver. The 1" brass fitting is a dual check valve that prevents flow back into the mains.

diagram no. 3



3.1.4 Connecting House delivery pipe

House delivery pipe is to be connected to the 1" BSP F connection of the AcquaSaver. This connection is with the arrow out from the AcquaSaver.

3.1.5 Connecting Power

Step 1

Connect the pumps electrical power lead (3 pin plug) to the 'Automatic Pump Control' electrical power lead (3 pin socket). This allows the controller to turn the pump on and off.

Step 2

Connect the 'Automatic Pump Control' electrical power lead (3 pin plug) into a dedicated 240V electrical supply.

The CMS System is only to be installed to an electrical supply conforming to the Australian Electrical Regulations 2002. This must include a $I_{\Delta n}=30\text{mA}$ safety switch. All electrical installations are to be performed by a licensed Electrician.

3.1.6 Connecting the Pump

Above ground tank – A valve should be already provided at the bottom of the rainwater tank. Connect the suction line from this valve to the suction connection on the pump. It is recommended to use a flexible suction hose of inside diameter of 25mm. (A Claytech flexible suction line is recommended because it will compensate for any movement in the rainwater tank when it goes from empty to full). It is also recommended to install a **Claytech Y-strainer** to remove any solid objects that may come through the rainwater tank. These objects could be left from the manufacturing process. Refer diagram no. 4a

**Do not use rigid piping on suction lines.
Do not use elbows.**

diagram no. 4a

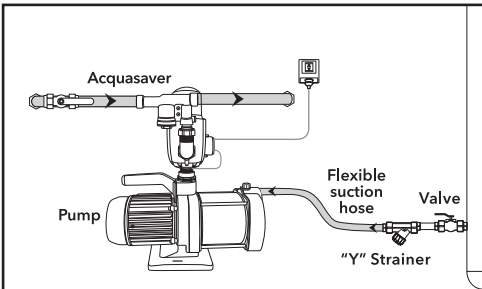
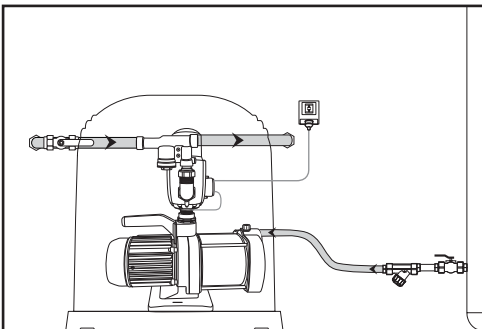


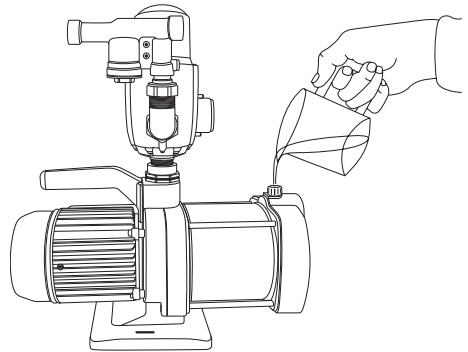
diagram no. 4b



3.1.7 Priming the pump

Surface pumps need to be filled with water before the first operation to allow them to remove the air out of the system. This only needs to be done once (first operation of pump). This is called priming of the pump. To do this, remove the priming plug located on the top of the pump casing. (Refer to diagram no. 5). Fill the pump casing with water and refit the plug.

diagram no. 5



3.1.8 Starting the System

- Open mains water to the system.
- Test mains water flow by flushing toilet.
- Open rainwater tank valve ensuring there is rainwater in the rainwater tank.
- Test rainwater pump by flushing toilet.

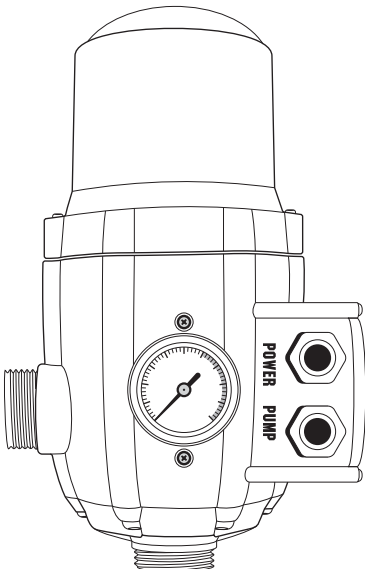
Pump Controller – This is marked 'Automatic Pump Control' and is located on top of the pump casing. This Controller allows the pump to start when you open a tap, flush the toilet or start the washing machine. It stops the pump automatically when you are finished. Refer diagram no. 6. It has four main functions.

Preset to start at 2.2 bar

- a) Automatic pump operation : The pump starts when the tap is turned on and stops the pump about 10 seconds after the tap is turned off.
- b) Provides constant flow and pressure
- c) Pump protection from dry running: The pump stops when there is no flow of water, thus preventing possible damage to the pump. The alarm is indicated by the LED called Failure on the front of the Automatic Pump Control.
- d) Checks to see whether there is water in the rainwater tank every 24 hours, by starting the pump and testing for water availability.

IMPORTANT: The pumping system does not work if the highest point of water use exceeds a vertical height of 15 metres.

diagram no. 6



3.2 SUBMERSIBLE PUMP

3.2.1 Installing the pump

The submersible pump can be installed in an above ground rainwater tank or a below ground rainwater tank as per diagram no. 7a & 7b. There are two different systems dependent on whether the submersible pump has a control system built into the pump 7a or whether the controller is external to the rainwater tank 7b. It is recommended to install rigid pipe from the submersible pump internally to the top of the rainwater tank with a union connection under the top of the tank to allow the pump to be easily removed. Once out of the tank then it is recommended to use flexible hose to the AcquaSaver water management device.

Divertron Submersible Pump - built in

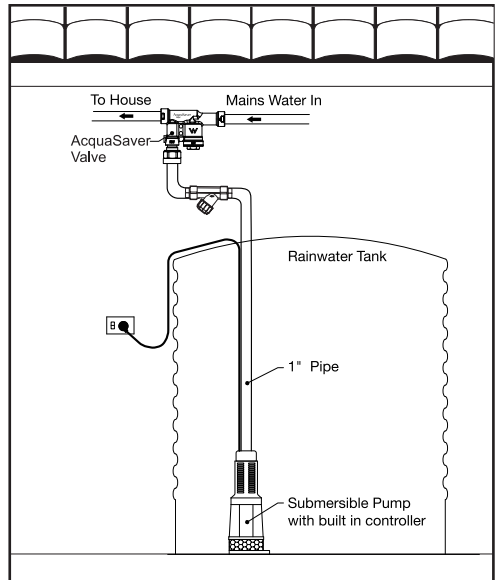
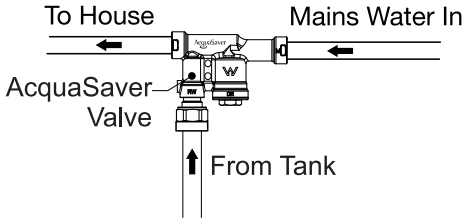


diagram no. 7a

Y-Strainer must be fitted on pumps discharge line before water enters AcquaSaver to ensure solid objects do not enter and damage device. Y-strainers need to be mounted horizontally to work.

diagram no. 8



3.2.2 Assembling the System using model 'Divertron' pump

The 'Divertron' pump is a unique product on the Australian market. It is unique because it has the pump controller built into the pump. That is, the controller is submersed under the water.

Simply connect the discharge of the 'Divertron' pump to the AcquaSaver, 1" BSP loose nut. Ensure that the rubber washer (supplied) is inserted inside the nut before tightening. Tighten with spanner.

A wall bracket is supplied to allow the AcquaSaver to be mounted against a wall. Mount this bracket to ensure there is no unnecessary load on the connections of the AcquaSaver. Refer diagram no. 8.

Submersible Pump - external controller

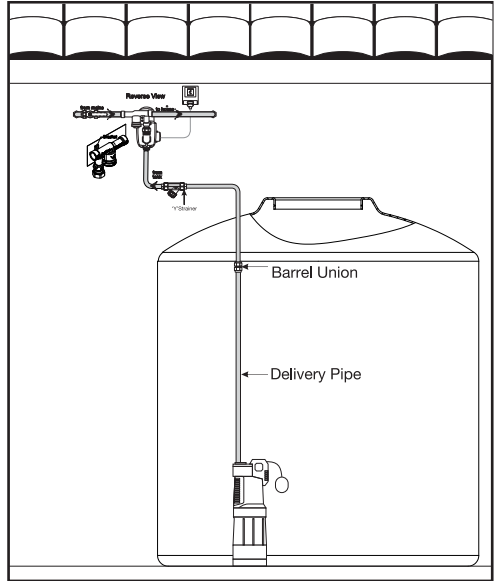


diagram no. 7b

Y-Strainer must be fitted on pumps discharge line before water enters AcquaSaver to ensure solid objects do not enter and damage device. Y-strainers need to be mounted horizontally to work.

3.2.3 Assembling the System using a conventional submersible pump ClayTech BlueDiver

Step 1

Connect the assembled unit to the wall bracket (provided) and mount on wall.

Step 2

Connect the 'Automatic Pump Control' to the AcquaSaver, 1" BSP loose nut, as per diagram 10. Ensure that the rubber washer (supplied) is inserted inside the nut before tightening. Tighten with spanner.

Step 3

Connect the discharge of the submersible pump to the bottom 1" BSP connection of the 'Automatic Pump Control'.

3.2.4 Connecting Mains Water

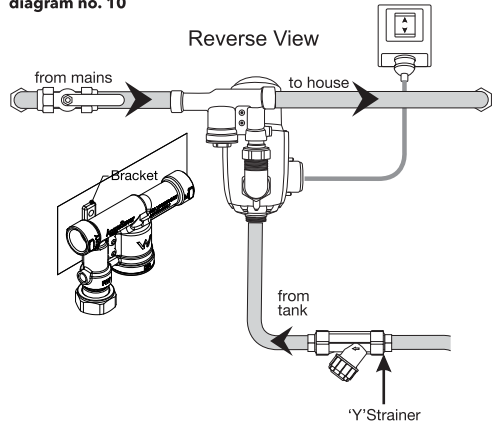
Warning! Test the mains pressure BEFORE installing the CMS Water Management System. CMS is not to be used if mains pressure goes above 1000KPa. If the pressure is above 500KPa, a pressure reducer must be installed. We recommend that a 500KPa pressure limiting valve be fitted to all installations of the AcquaSaver in domestic applications. If the static mains pressure is greater than 350KPa above the max pump pressure at the AcquaSaver, so the pump can completely shut off mains water. Failure to lift the pressure limiting the valve will result in the pump not starting even though there could be water in the tank available for use. Remember mains pressure in your area can change according to current water demands. Excessive pressure will cause damage that is not covered by warranty.

Mains water piping is to be connected to the AcquaSaver using the 1" BSP connection. This connection is the arrow towards the AcquaSaver. Connection is marked 'm' the 1" brass fitting is a dual check valve that prevents flow back into the mains. Refer diagram no.8

3.2.5 Connecting House delivery pipe

House delivery pipe is to be connected to the 1" BSP connection on the AcquaSaver. This connection is with the arrow out from the AcquaSaver. Refer diagram no. 10.

diagram no. 10



3.2.6 Connecting Power

DIVERTRON SYSTEM

Connect electrical power lead (3 pin plug) directly into a dedicated 240V electrical supply.

OTHER SUBMERSIBLE SYSTEM

Step 1

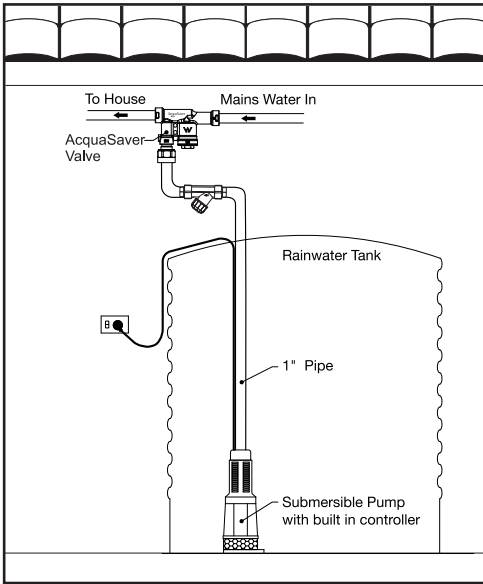
Connect the pumps electrical power lead (3 pin plug) to the 'Automatic Pump Control' electrical power lead (3 pin socket).

Step 2

Connect the 'Automatic Pump Control' electrical power lead (3 pin plug) into a dedicated 240V electrical supply.

The CMS System is only to be installed to an electrical supply conforming to the Australian Electrical Regulations 2002. This must include a $I\Delta n=30mA$ safety switch. All electrical installations are to be performed by a Licensed Electrician.

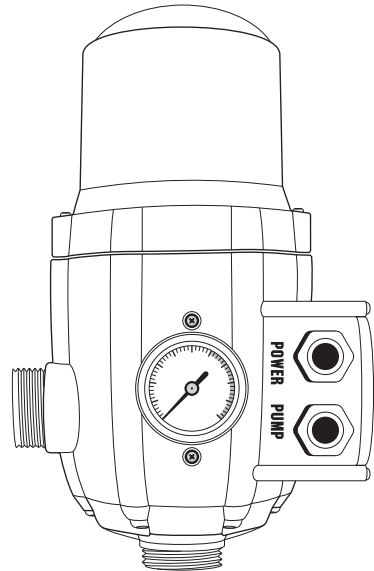
diagram no. 11



- b) Provides constant flow and pressure
- c) Pump protection from dry running: The pump stops when there is no flow of water, thus preventing possible damage to the pump. The alarm is indicated by the LED called Failure on the front of the Automatic Pump Control.
- d) Checks to see whether there is water in the rainwater tank every 24 hours, by starting the pump and testing for water availability.

IMPORTANT: The pumping system does not work if the highest point of water use exceeds a vertical height of 15 metres.

diagram no. 12



3.2.7 Starting the system

- a) Open mains water to the system.
- b) Test mains water flow by flushing toilet.
- c) Open rainwater tank valve ensuring there is rainwater in the rainwater tank.
- d) Test rainwater pump by flushing toilet.

Pump Controller - This is marked 'Automatic Pump Control' and is located with the AcquaSaver. This Controller allows the pump to start when you open a tap, flush the toilet or start the washing machine. It stops the pump automatically when you are finished. Refer diagram no. 11. It has four main functions.

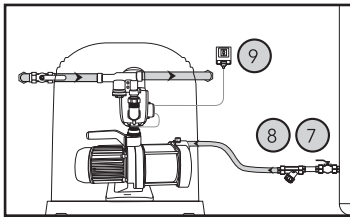
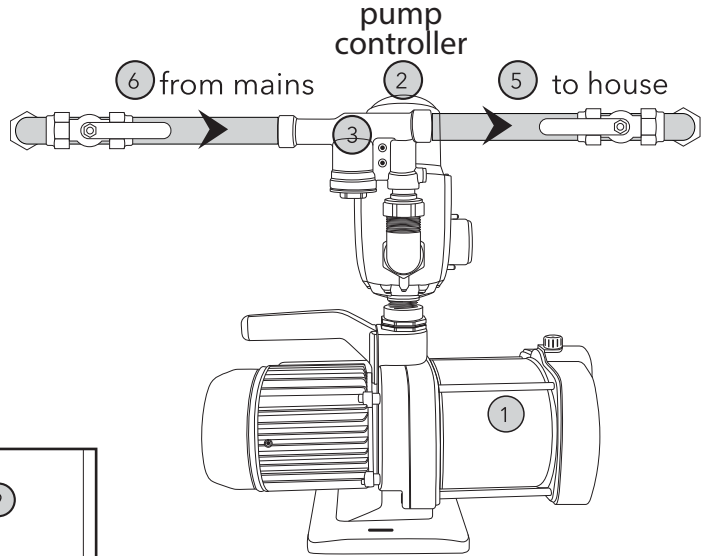
- a) Automatic pump operation: The pump starts when the tap is turned on and stops the pump about 10 seconds after the tap is turned off.

4.0 TROUBLE SHOOTING

Problem	Index	Observe	Answer	Possible Cause	Solution
External Pumping System - CMS EB3A1 / I30A1 / I40A1 / I50A1					
Pump will not start	1a	Is there power available?	Yes	Refer 1b	
			No	Circuit breaker for home in off position	Turn circuit breaker on
	1b	Is the power point turned on?	Yes	Refer 1c	
			No	Power point off	Turn switch to ON ⑨
	1c	Are the lights lit on the Aquatron controller? ②	Yes	Refer 1d	
			No	Possible problem with pump controller ②	1. Confirm operation of power point with another electrical device. 2. Turn off power at power point and refer to service agent
	1d	Is the pump electrical cable plugged into the Pump controller?	Yes	Refer 1e	
			No	System is not connected electrically	Plug pump electrical lead (male 3 pin plug) into controller lead (female plug)
	1e	Is the Aquatron pump controller in the position as per illustration above?	Yes	Refer 1f	
			No	Controller plumbed incorrectly and will not operate	Correct plumbing as per illustration (the number 5 should in the verticle position at top of gauge).
	1f	Is the system plumbed correctly as per above illustration?	Yes	Possible problem with pump ①	Turn off power at power point and refer to service agent
			No	Incoret Plumbing would prevent pump turning on.	Re-plumb system as per above illustration
Pump will not stop	2a	Is the pump electrical cable plugged into the Pump controller?	Yes	Refer 2b	
			No	System is not connected electrically	Plug pump electrical lead (male 3 pin plug) into controller lead (female plug)
	2b	Are there any water services releasing water?	Yes	Flow plus available water in tank = pump running	Turn off services
			No	Refer 2c	
	2c	Are there any water leaks in the system pipework?	Yes	A trickle style water leak is enough for pump to continue running	Identify leak and repair

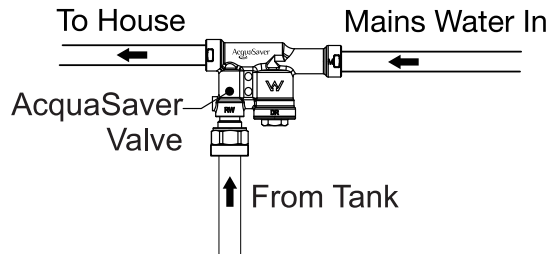
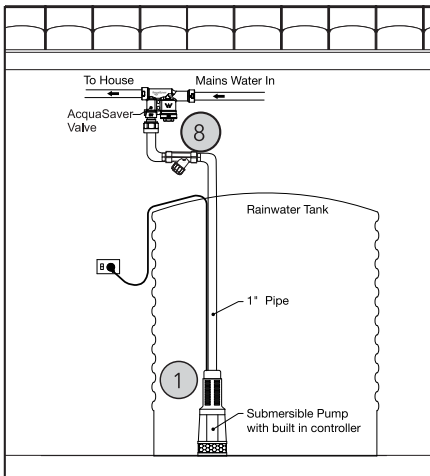
Problem	Index	Observe	Answer	Possible Cause	Solution
External Pumping System – CMS EB3A1 / I30A1 / I40A1 / I50A1					
Pump will not pump water	3a	Is there adequate water in Water Tank?	Yes	Refer 3b	
			No	Pump starts then turns off and system reverts to town mains supply	Wait for rain or put water into tank for initial test
	3b	Is the isolation valve of the Water Tank open? 7	Yes	Refer 3c	
			No	Closed valve will not allow water to pump	Open Valve
	3c	Check Y Strainer has been installed? 8	Yes	Y strainer may be blocked from debris from tank	Clean Y strainer screen
			No	No strainer will result in debris obstructing pump and preventing water flow.	Install Y strainer and have pump cleaned out by a qualified service agent
Electrical / Motor Problems	4a	Noise from back of motor?	Yes	Motor fan may be touching cover	Loosen screws holding cover and adjust so that it does not touch
			No	Refer 4b	
	4b	External obstructions?	Yes	Check for objects eg. Plants, rocks and rubbish that may be caught in fan	Clear obstructions
	4c	Pump Noise?	Yes	Air being drawn into pump on the inlet side by loose or faulty connections	Check for any faulty or loose pipework on the inlet to the pump and fix
				Cavitation - Caused by air bubbles exploding inside pump from High pressure/ Low flow or Low pressure/ high flow applications	Contact service agent for advice on correcting objects inside of pump
				Objects inside pump	Contact service agent for advice on correcting objects inside of pump
			No	Turn off power at power point and refer to service agent	
	4d	Motor Humming?	Yes	Pump jammed with debris	Contact service agent 1300 798 0252
				Seized motor bearing (water entering back of motor or long term leaking mechanical seal)	
				Capacitor (electrical storm/power surge)	
4e	Motor Overheating?	Yes	Runs for a period of time, shuts down and then restarts when motor is cooler	Contact service agent 1300 798 0252	

External Pumping System - CMS EB3A1 / I40A1 / I50A1



①	Pump
②	Acquatron Controller
③	AcquaSaver
⑤	House Isolation Valve
⑥	Mains Water Isolation Valve
⑦	Rain Water Tank Isolation Valve
⑧	Y Strainer (Can be placed at Tank or Pump)
⑨	Power Point

Internal Pumping System - CMS C30A1/C40A1/C6A1/C7A1



Problem	Index	Observe	Answer	Possible Cause	Solution
Internal Pumping System - CMS C30A1 / C40A1 / C6A1 / C7A1					
Pump will not start	5a	Is there power available?	Yes	Refer 5b	
	5b	Is the power point turned on?	No	Circuit breaker for home in off position	Turn circuit breaker on
			Yes	Refer 5c	
			No	Power point off	Turn switch to ON at power point
	Please note: You will still hear sound as well as vibration when unit is running				
5c	No sign of operation?	Yes	Possible problem with pump ①	Turn off power at power point and refer service agent	
Pump will not stop	6a	Are there any water services releasing water?	Yes	Flow plus available tank water = pump running	Turn off services
			No	Refer 6b	
	6b	Are there any water leaks in the system pipework?	Yes	A trickle style water leak is enough for pump to continue running	Identify leak and repair Leak can be between pump and acquaSaver (could be inside tank)
			No	Refer 6c	
	Please note: The Divertron is the only submersible pump that is fully automatic (able to be turned on and off as per water requirement).				
Pump will not pump water	7a	Is there adequate water in Water Tank?	Yes	Refer 7b	
			No	Pump starts then turns off and system reverts to town mains supply	Wait for rain or put water into tank for initial test
	7b	Is the isolation valve of the pump open? ⑦	Yes	Refer 7c	
			No	Closed valve will not allow water to pump	Open Valve
	7c	Check Y strainer has been installed? ⑧	Yes	Y strainer may be blocked from debris from tank	Clean Y strainer screen
			No	No strainer will result in debris obstructing pump and causing no water to pass which will need to be cleaned out	Install Y strainer and have pump cleaned out by a qualified service agent
Excessive Noise	8a	Noise from inside of tank?	Yes	As water lowers in tank, noise/ vibration will increase	No Need for concern but may wish to raise pump away from bottom of tank to reduce vibration noise.

Problem	Index	Observe	Answer	Possible Cause	Solution
Internal Pumping System - CMS C30A1 / C40A1 / C6A1 / C7A1					
Low Water supply to Services	9a	Tank Supply?	Yes	Possible part blockage in pumping system or pipework	Clear blockage
			No	Refer 9b	
	9b	Town Supply?	Yes	Possible part blockage in pipework system to the AcquaSaver	Clear blockage
			No	Refer 9c	
	9c	Both Tank and Town Supply?	Yes	Blockage in pipework from device entering the home	Clear blockage
	Pump covers are recommended with all external systems				
2) Help suppress excessive noise (cover will keep most of the sound generated by the motor to inside of pump cover)					
3) Prolong life of motor (by restricting the sun's effect on the motor and reducing excessive heat when operating, you will increase the life of the unit)					
As described above Y strainers are recommended on all systems - It will keep debris of any kind from causing problems with pumping system as well as any services being used in and outside of the home (eg. Pumps, controllers, switching devices, toilet sisterns, washing machines and all associated pipework).					
<p>Note: All pumps are designed that when they run out of water they shut down (this is called Loss of Prime Protection). Every 24 hours the pump will turn on to see if water is available. Please be aware that this is normal and that if you wish for this not to happen you switch the pump off at the power point. Once rain has occurred switch the system back on to allow resumption of normal operation.</p> <p>When testing any of the system it is recommended that isolation valves are used for sectioning off elements of the system ie, to check pump operation, shut isolation off mains water to test and when checking mains water shut down isolation valve for pump. If no isolation valves have been used for the pumping system it is a simple as turning off the power to the pump (after testing remember to turn all isolation to the open position). When plugging power in and out of power point always do so with the power point switch turned off.</p>					

If you still experience problems after going through the trouble shooting guide, turn power supply off to the system and it will automatically divert back to the mains water supply. Contact Claytech for further technical support on 1300 798 022.

5.0 MAINTENANCE

Weather Protection: All components require protection from direct sunlight and rain. This will maximise their working life. They require protection from flooding. Any water ingress into the electrical motor or Automatic Pump Control will not be covered by warranty.

Piping: Maintain working order of all piping, fittings and attachments on suction and discharge lines. Any leaks will cause the system to malfunction. Inspection interval recommended – 6 monthly.

Toilets, Taps: Ensure toilets and taps do not leak. Regularly inspect and replace washers and assemblies as necessary. Inspection interval recommended – 6 monthly.

Y-strainer: Inspect and clean this filter regularly to ensure blockages do not occur. Inspection interval recommended – 6 monthly.

Supply Cord: If the supply cord is damaged, it shall be replaced by the manufacturer or its service agent or similarly qualified person in order to avoid a hazard.

6.0 GUARANTEE

Claytech guarantee the pump for a period of 2 years or 3 years, from the date of purchase, depending on the model*. Contact 1300 798 022 for details. Claytech guarantee the AcquaSaver diverter for a period of 3 years, from the date of purchase. The guarantee covers manufacturer's defects in material, or workmanship. The guarantee does not cover malfunctions due to misuse or due to failure to follow instructions in this manual. Any alterations to the product are to be performed by a Claytech approved service agent. Any repairs performed by non approved personnel will void the guarantee.

To make a claim, contact Clayton Engineering, 26 French Ave, Brendale, Q, 4500 on phone 1300 798 022 or email sales@claytonengineering.com.au. You will be asked to provide proof of purchase and then will be instructed on the procedure for repairing or replacement of the product under warranty. All costs incurred for repair or replace, and additional claims can be discussed at this stage.

This warranty is provided in addition to other rights and remedies you have under law: Our goods come with guarantees that cannot be excluded under the Australian Consumer Law. You are entitled to a replacement or refund for a major failure and for compensation for any other reasonably foreseeable loss or damage. You are also entitled to have the goods repaired or replaced if the goods fail to be of acceptable quality and the failure does not amount to a major failure.

7.0 SERVICE AND SUPPORT

Claytech proudly provide the best support for their product in the Domestic Pumping Industry. By phoning our toll free number we can help you with application questions, fault difficulties, or any pumping questions.

We are here to help you. **call 1300 798 022**

Please have a look at further quality Claytech products at **www.claytech.com.au**

8.0 TECHNICAL SPECIFICATION & APPROVAL

Voltage : 240V
Max. Current : 10A
Frequency : 50Hz
Protection Grade : Automatic Pump Control : IP65
Max. Mains Pressure : 750 KPa
Max. Water Temperature : 30°C
Pump starting Pressure : **2.2 bar**

EC Certificate of Conformity

The Claytech Group S.p.A. - Via Bonanno Pisano, 1 - 56031 Bientina (PI) Italy, hereby declares on its own full responsibility that the products to which this declaration refers comply to the following EEC health and safety regulations

89/392/EWG, 89/336/EWG, 73/23/EWG

By way of comparison, within the ambit of the above stated EEC health and safety standards, the following standards and/or technical specifications have been referred to:

EN 60 335-1 1988-89
EN 55014 87-90-1/2
EN 60 335-2-41 1990-91
DIN-VDE 0700-1
EN 292-1 EN 292-2 EN 50081-2
EN 50082-2 EN 55014-1/2
EN 60555 Teil 2 u. 3
DIN-VDE 0700-2-41

Australian Electrical Approval on Surface Pumps and Controller: Q070602 to AS60335.2.41
AcquaSaver : Watermark WMK60075 to ATS5200.477 Switch must complies with AS/NZS 3133
C-Tick : N14219