



**Pump Model - version**

EUROINOX 40-50 M - N.6. - -

Attention: check the correspondence with the serial number of the pump.

Company Name  
Reference  
Phone  
Fax  
E-mail

Receiver

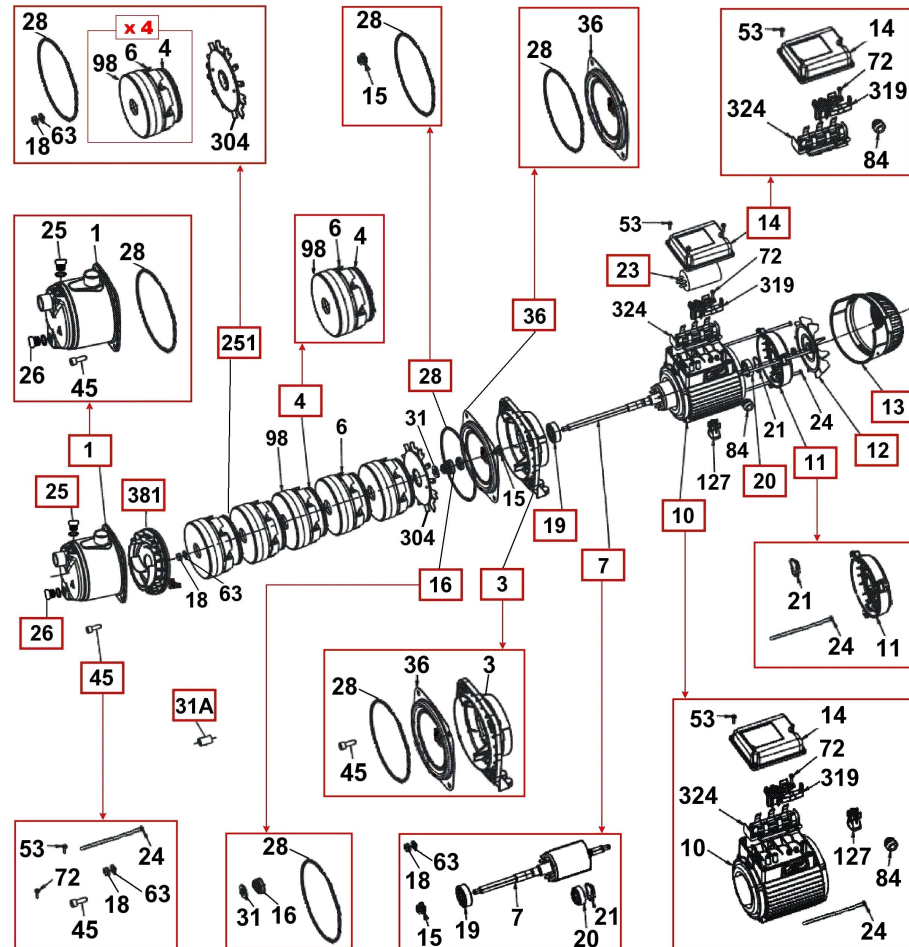
From

Serial Number

EUROINOX 40-50 M - N.6. - - @ 102970280\_c

EUROINOX 40-50 M @ 102970280

Item	Q.ty	Item no.	Description	Unit pr.
1	1	R00005311	PUMP BODY	On req.
3	1	R00005150	SUPPORT	On req.
4	4	R00008764	COMPLETE STAGE	On req.
7	1	R00005290	(SP) MOTOR SHAFT	On req.
10	1	R00005141	MOTOR	On req.
11	1	R00005115	MOTOR COVER	On req.
12	1	R00005107	FAN	On req.
13	1	R00004650	FAN GUARD	On req.
14	1	R00004811	TERMINAL BOARD	On req.
16	1	R00005282	SEAL D.15	On req.
19	1	R00005111	FRONT BEARING 6302-2RSH	On req.
20	1	R00005112	REAR BEARING 6202-2RSH	On req.
23	1	R00005139	CAPACITOR 25UF	On req.
25	1	R00004017	LOAD PLUG	On req.
26	1	R00004018	DISCHARGE PLUG	On req.
28	1	R00005306	OR	On req.
31A	1	R00005133	SEAL SPACER	On req.
36	1	R00004016	MECHANICAL SEAL COVER	On req.
45	1	R00005314	NUTS AND BOLTS	On req.
251	1	R00005333	COMPLETE HYDRAULICS	On req.
381	1	R00005309	SELF-PRIMING FLANGE	On req.



Project

Project ID

Created by

Created on  
2013-08-06

Last update