



Pump Model - version

EUROINOX 40/80 M - N.1.- -

Attention: check the correspondence with the serial number of the pump.

Company Name
Contact
Telephone
FAX
E-Mail address

Receiver

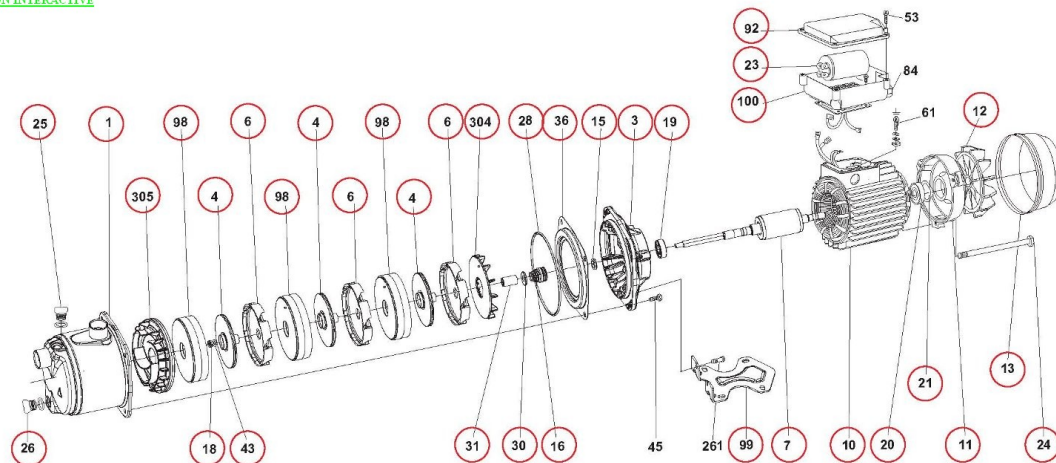
From

EUROINOX 40/80 M - N.1.- - @ 102470360_c

EUROINOX 40/80 M @ 102470360

Item	Quant	Item no.	Description	Unit pr.
1	1	148121110	SP.P. PUMP BODY	On req.
10	1	130645300	SP. P. MOTOR MEC71 H90 220/240/50	On req.
100	1	140040010	TERM-BOX KIT STANDARD	On req.
11	1	164030020	MEC 71 MOTOR COVER	On req.
12	1	160760240	FAN MEC71	On req.
13	1	164200010	MEC 71 FUN COVER	On req.
15	1	002210558	V-RING D.13,5-15X5,5H	On req.
16	1	148620440	COMPLETE MECH.SEAL D.15	On req.
18	1	002520633	HEX.NUT AUTOB.M8 INOX A4 UNI7474	On req.
19	1	002310103	6302-2RSH D.15X42X13 BEARING	On req.
20	1	002310102	6202-2RSH D.15X35X11 BEARING	On req.
21	1	002570001	LMKAS D.35B THRUST WASHER	On req.
23	1	002710018	25 UF X 450V CAPACITOR MAX D.45X 71MM	On req.
24	3	167100010	MEC 71 M5 X 135 MOTOR TIE ROD	On req.
25	1	168460080	PRIMING PLUG 3/8"	On req.
26	1	168460080	PRIMING PLUG 3/8"	On req.
28	1	002220377	OR-4600 151,99X 3,53 NBR	On req.
3	1	161430100	&MOTOR SUPPORT MEC 71	On req.
30	1	168300150	SEAL WASHER A.316	On req.
304	1	161060520	REAR DISC EURO PULSAR	On req.
305	1	142860070	SP.P. FLANGE	On req.
328	1	168300240	PUMP BODY WASHER	On req.
36	1	161000270	DISC SEAL	On req.
4	5	150761101	IMPELLER AISI316 GFN2	On req.
43	1	002523059	WASHER 8,4X17AISI316UNI6592	On req.
550	1	140040050	SP.P. COMPL. TER.-BOX NB	On req.
6	5	162860490	DIFFUSER -NORYL-	On req.
7	1	145002730	SP. P. SHAFT W/ROT.EURO 50/50-40/80	On req.

NON INTERACTIVE



Project	Project ID	Created by	Created on 2011-01-07	Last update
---------	------------	------------	--------------------------	-------------



Pump Model - version

EUROINOX 40/80 M - N.1.- -

Attention: check the correspondence with the serial number of the pump.

Company Name
Contact
Telephone
FAX
E-Mail address

Receiver

From

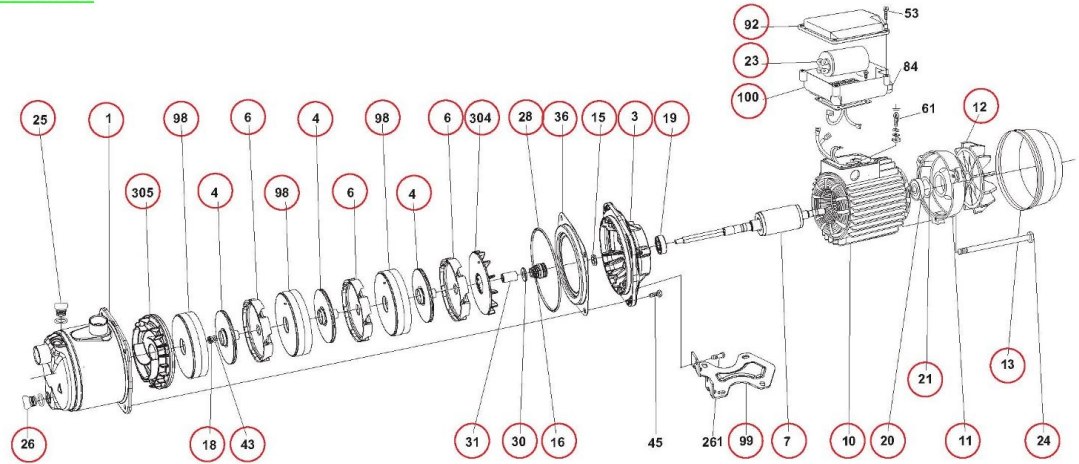
Serial Number

EUROINOX 40/80 M - N.1.- - @ 102470360_c

EUROINOX 40/80 M @ 102470360

Item	Quant	Item no.	Description	Unit pr.
92	1	147120260	TERM. BOX COV.NB STANDARD W/GASKET	On req.
98	5	161360480	DIFFUSER BODY -NORYL	On req.
99	1	161500360	&FOOT BRACKET	On req.

NON INTERACTIVE



Project

Project ID

Created by

Created on
2011-01-07

Last update