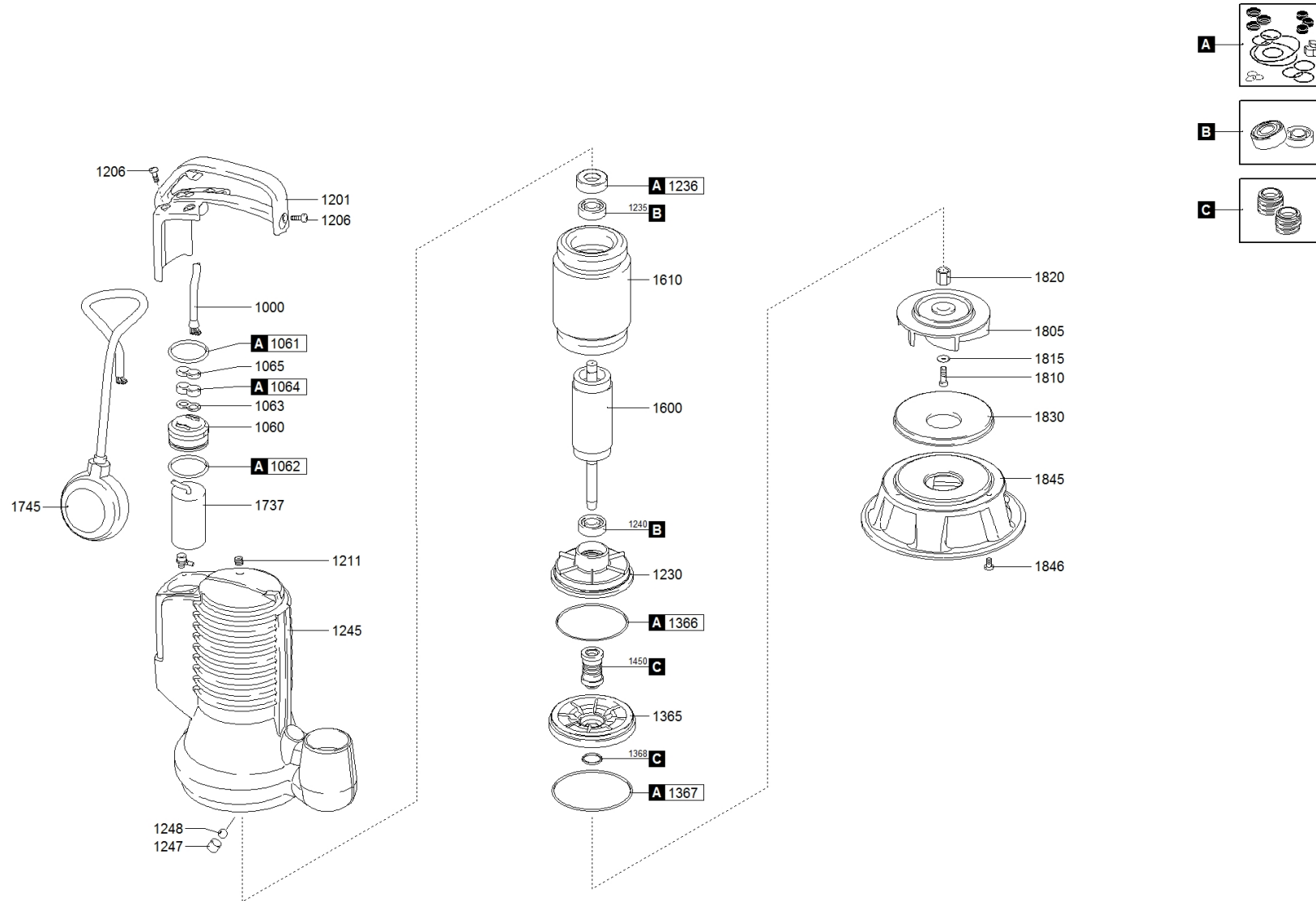


1054.007 - DGBLUE 50/2/G40V A1BM5 NPTCB41U23NW0CX





water solutions



1054.007 - DGBLUE 50/2/G40V A1BM5 NPTCB41U23NW0CX

	Code	Description		Q.ty	Price (€)
A	'601008001	GASKETS KIT	801156	1	
C	'602008011	MECHANICAL SEALS KIT	802762	1	
B	'604008301	BEARINGS KIT		1	
1000	'250102304010200000	POWER CABLE		1	
1060	'239768026156	HOLDER [CABLE GLAND]	805885	1	
1061	'271770412835300000	UPPER GASKET - HOLDER [CABLE GLAND]	711030	1	
1062	'271770040952620000	LOWER GASKET - HOLDER [CABLE GLAND]		1	
1063	'235467024279	CABLE STOP		1	
1063	'2732001100000	CABLE STOP		1	
1064	'235678024237	RUBBER GASKET	711018	1	
1065	'235467024241	CABLE GLAND	805884	1	
1201	'235360424137	CABLE GLAND HANDLE	804983	1	
1206	'270830510140400000	SCREW [CABLE GLAND HANDLE >> COVER]		5	
1211	'270139510104000000	CAP [TIGHTNESS TEST]	802099	1	
1230	'230556223465	LOWER BEARING HOLDER		1	
1235	'2729062010200000	UPPER BEARING	711365	1	
1236	'238579023531	RUBBER PROTECTION [UPPER BEARING]		1	
1240	'2729062010200000	LOWER BEARING	711365	1	
1245	'231016224960	MOTOR CASE		1	
1365	'2391000015023462	MECHANICAL SEAL FLANGE		1	
1366	'271770088035000000	GASKET [LOWER BEARING HOLDER >> MECHANICAL SEAL FLANGE]		1	
1367	'271770108026000000	GASKET [MECHANICAL SEAL FLANGE >> BASE]		1	
1368	'237970100160600000	V-RING [MECHANICAL SEAL FLANGE]		1	
1450	'230005060120000000	MECHANICAL SEAL		1	
1600	'230233611223480	SHAFT WITH ROTOR		1	
1610	'231101121001000000	WOUND STATOR	802373	1	
1737	'2517004000000	CAPACITOR	711020	1	
1805	'21416400630523799	IMPELLER	711176	1	
1810	'270830510200400000	LOCKING IMPELLER	711026	1	
1815	'270530202073000000	LOCKING WASHER [IMPELLER]		1	
1820	'2307405623457	BUSH [IMPELLER]		1	
1845	'2145611323900	BASE	808473	1	
1846	'270830510100400000	SCREW [BASE >> MOTOR CASE]		3	

