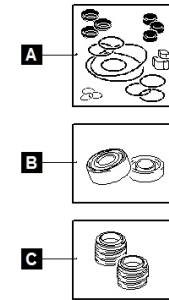
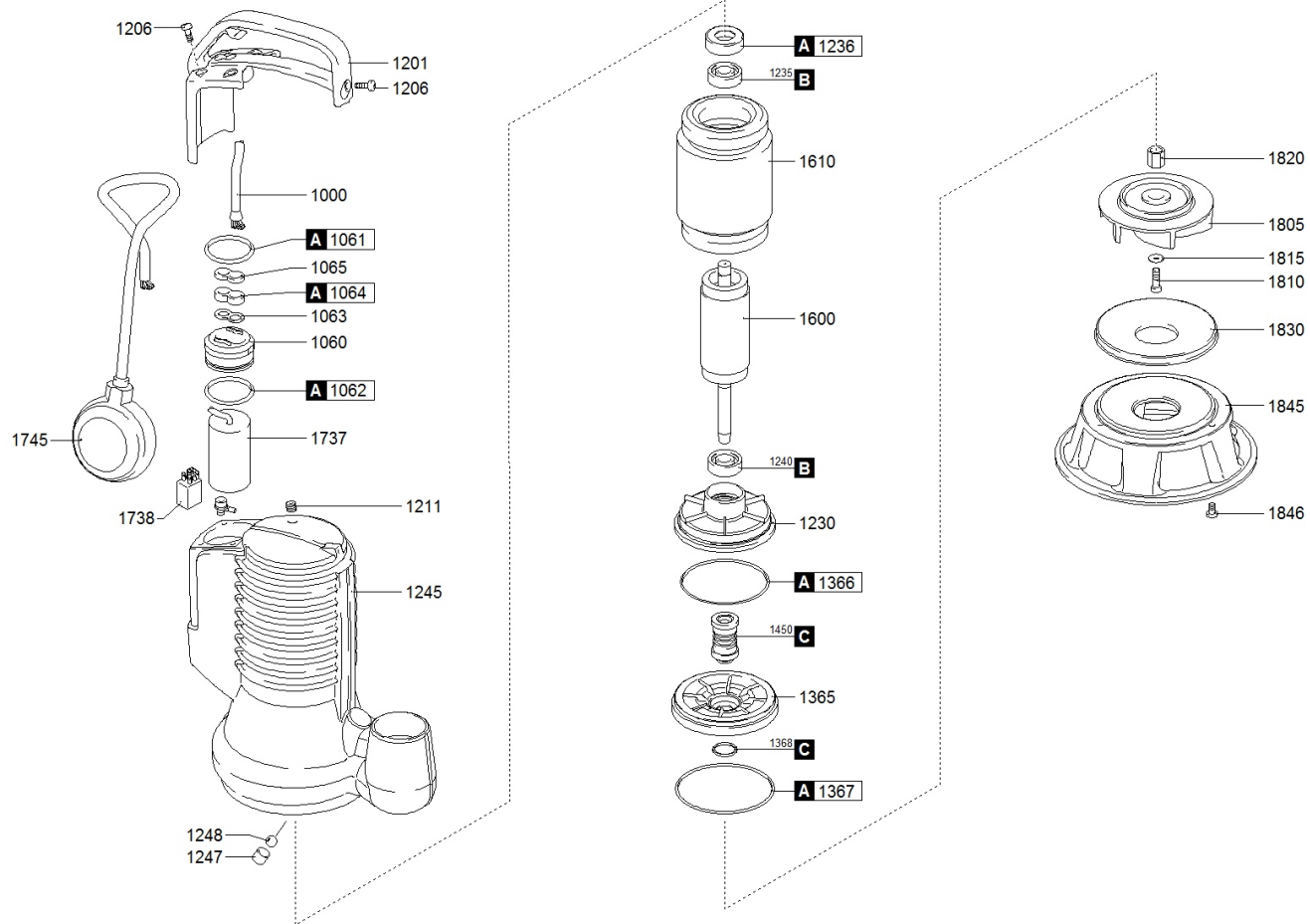




water solutions



1079.010 - DGBLUEP 100/2/G40V A1BT5 NGNAB51040NW0CX





water solutions



1079.010 - DGBLUEP 100/2/G40V A1BT5 NGNAB51040NWOCX

		Code	Description		Q.ty	Price (€)	
A		601008001	GASKETS KIT	801156	1		
C		602008021	MECHANICAL SEALS KIT	801157	1		
B		604008301	BEARINGS KIT		1		
1000		250102404010000000	POWER CABLE		1		
1060		239768026156	HOLDER [CABLE GLAND]	805885	1		
1061		271770412835300000	UPPER GASKET - HOLDER [CABLE GLAND]	711030	1		
1062		271770040952620000	LOWER GASKET - HOLDER [CABLE GLAND]		1		
1063		235467024280	CABLE STOP		1		
1063		2732001100000	CABLE STOP		1		
1064		235678024238	RUBBER GASKET		1		
1065		235467024241	CABLE GLAND	805884	1		
1201		235360424137	CABLE GLAND HANDLE	804983	1		
1206		270830510149200000	SCREW [CABLE GLAND HANDLE >> COVER]		5		
1211		270139510104000000	CAP [TIGHTNESS TEST]	802099	1		
1230		230556223465	LOWER BEARING HOLDER		1		
1235		2729062010200000	UPPER BEARING	711365	1		
1236		238579023531	RUBBER PROTECTION [UPPER BEARING]		1		
1240		2729062010200000	LOWER BEARING	711365	1		
1245		231016224965	MOTOR CASE		1		
1247		2307605724327	BUSH [BREATHER]		1		
1248		273077224326	BALL [BREATHER]		1		
1365		2391000015023462	MECHANICAL SEAL FLANGE		1		
1366		271770088035000000	GASKET [LOWER BEARING HOLDER >> MECHANICAL SEAL FLANGE]		1		
1367		271770079018000000	GASKET [MECHANICAL SEAL FLANGE >> BASE]		1		
1368		237970100160600000	V-RING [MECHANICAL SEAL FLANGE]		1		
1450		230005040120000000	MECHANICAL SEAL		1		
1600		230233611623481	SHAFT WITH ROTOR		1		
1610		231101163001000000	WOUND STATOR		1		
1805		21411400790524284	IMPELLER		1		
1810		270830510209200000	LOCKING IMPELLER		1		
1815		270530202073000000	LOCKING WASHER [IMPELLER]		1		
1830		2162311324242	SUCTION FLANGE	801172	1		
1845		2145611323900	BASE	808473	1		
1846		270830510109200000	SCREW [BASE >> MOTOR CASE]		3		

