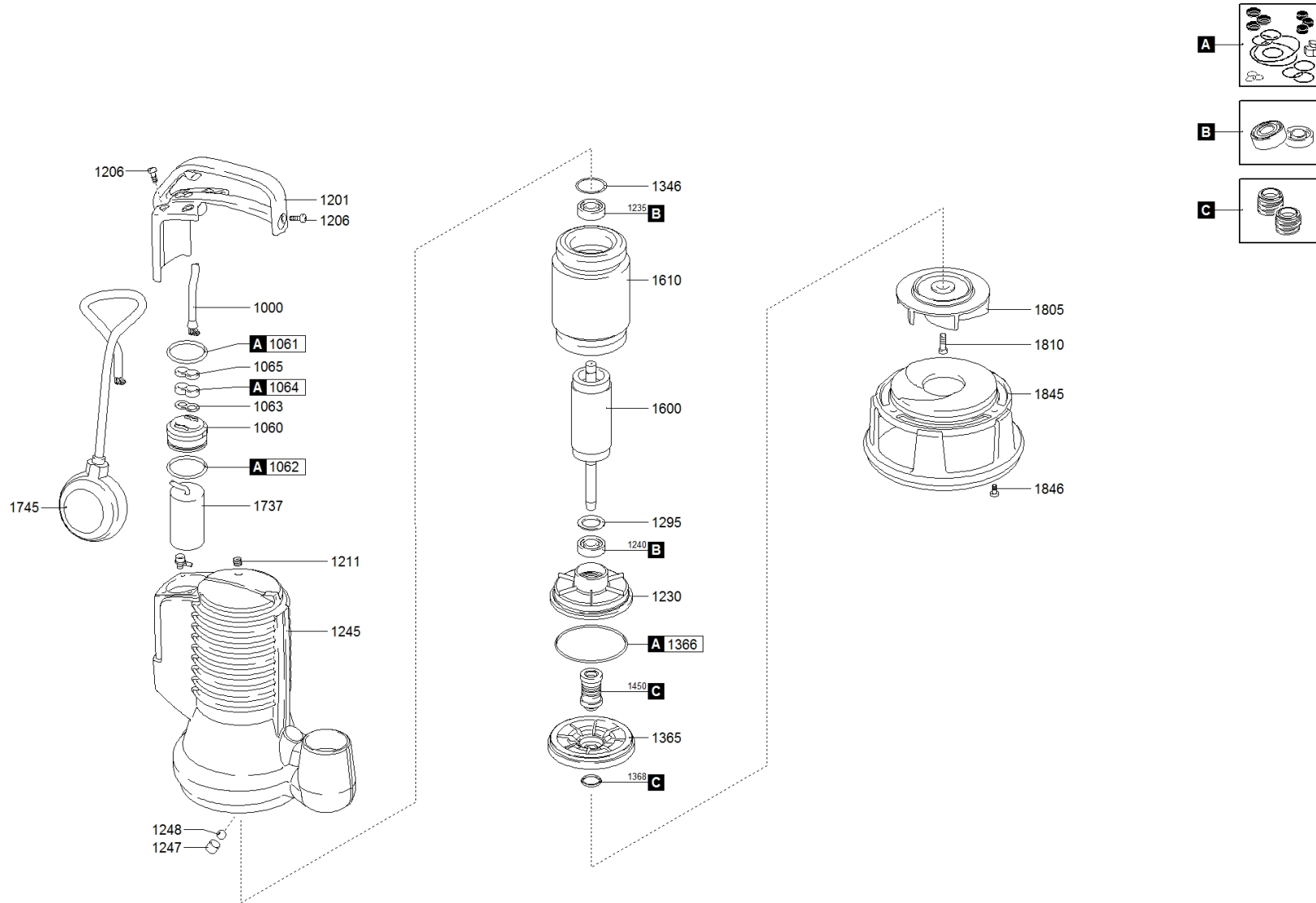


1102.014 - DGBLUEP 150/2/G50V A1CM5 NGTGB51U23NW0CX





water solutions



1102.014 - DGBLUEP 150/2/G50V A1CM5 NGTGB51U23NW0CX

		Code		Description		Q.ty
A		601008001		GASKETS KIT	801156	1
C		602008031		MECHANICAL SEALS KIT	711079	1
1000		250102304010200000		POWER CABLE		1
1060		239768026156		HOLDER [CABLE GLAND]	805885	1
1061		271770412835300000		UPPER GASKET - HOLDER [CABLE GLAND]	711030	1
1062		271770040952620000		LOWER GASKET - HOLDER [CABLE GLAND]		1
1063		235467024279		CABLE STOP		1
1063		2732001100000		CABLE STOP		1
1064		235678024236		RUBBER GASKET	711017	1
1065		235467024241		CABLE GLAND	805884	1
1201		235361024325		CABLE GLAND HANDLE	804984	1
1206		270830510140400000		SCREW [CABLE GLAND HANDLE >> COVER]		5
1211		270139510104000000		CAP [TIGHTNESS TEST]	802099	1
1230		230556323606		LOWER BEARING HOLDER		1
1235		2729062030200000		UPPER BEARING	711360 or 802083	1
1240		2729063030200000		LOWER BEARING	750023	1
1245		231016324971		MOTOR CASE		1
1247		2307605724327		BUSH [BREATHER]		1
1248		273077224326		BALL [BREATHER]		1
1295		270220170241500000		UPPER DISTANCE RING [LOWER BEARING]	711065	1
1346		27542039100000		WAVE SPRING	802283	1
1365		2391120021023608		MECHANICAL SEAL FLANGE		1
1366		271770107035000000		GASKET [LOWER BEARING HOLDER >> MECHANICAL SEAL FLANGE]		1
1368		237970130190600000		V-RING [MECHANICAL SEAL FLANGE]		1
1450		230005040150000000		MECHANICAL SEAL	710995	1
1600		230233611823937		SHAFT WITH ROTOR		1
1610		231101181001000000		WOUND STATOR	802366	1
1737		2517028100000		CAPACITOR	711022	1
1745		254500405100001		FLOAT SWITCH		1
1805		21411400910623949		IMPELLER	800234	1
1810		270830610253200000		LOCKING IMPELLER		1
1845		2145113023903		BASE	800235	1
1846		270830610123200000		SCREW [BASE >> MOTOR CASE]	802092	3

