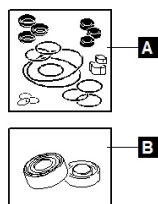
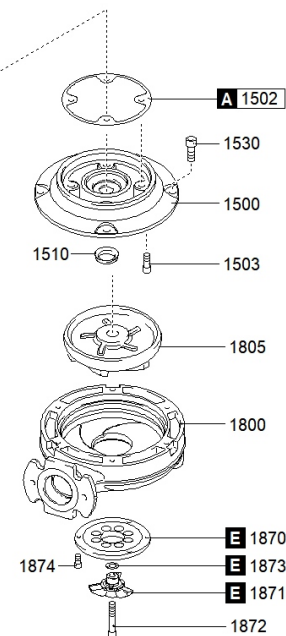
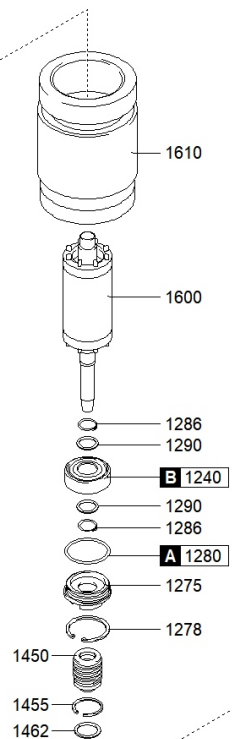
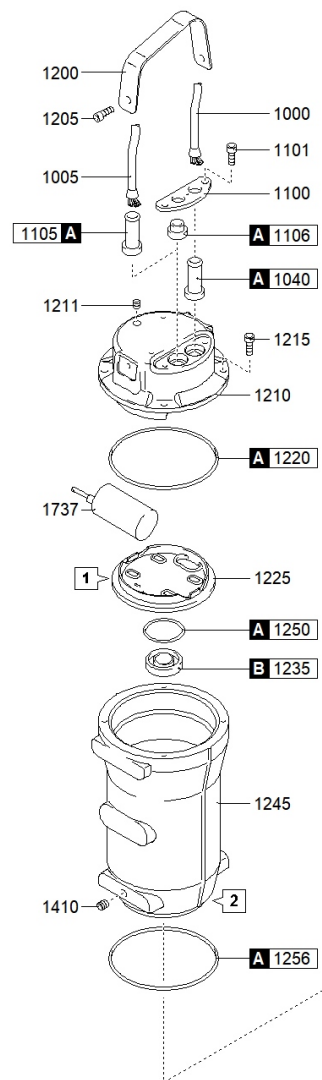
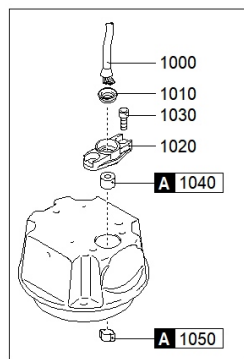


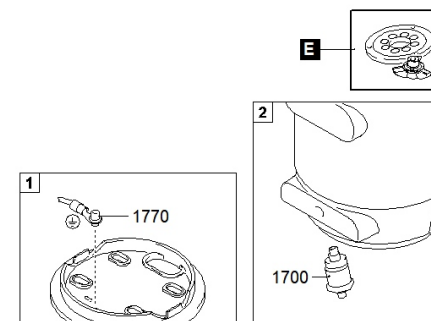


better together

## 1750.200 - GRG 250/2/G40H A0AT5 NGTSB51040N00EX



G05  
AP G40H 01A





better together



1750.200 - GRG 250/2/G40H A0AT5 NGTSB51040N00EX

		Code	Description		Q.ty	Price (€)	
A		601051001	GASKETS KIT	806124	1		
E		603051001	CUTTING SYSTEM KIT	806114	1		
B		604051001	BEARINGS KIT	806130	1		
1000		25020340151000001	CAVO POTENZA	802306	1		
1010		235467216820	RING NUT [POWER CABLE]	711016 OR 802074	1		
1020		235423622710	CABLE GLAND [POWER CABLE]	802276	1		
1030		270830610143200000	SCREW - CABLE GLAND [POWER CABLE]	806113	2		
1030		270830810203200000	SCREW - CABLE GLAND [POWER CABLE]	802093 OR 802095	2		
1040		235672721990	RUBBER GASKET [POWER CABLE]		1		
1050		2732001400000	COLLAR CLAMP [POWER CABLE]	802081	1		
1101		270830610143200000	SCREW [CABLE GLAND PLATE >> COVER]	806113	2		
1200		235230227899	HANDLE		1		
1205		270830610143200000	SCREW [HANDLE >> COVER]	806113	2		
1210		2321104EX27262	COVER		1		
1211		270139510104000003	CAP [TIGHTNESS TEST]		1		
1215		270830610143200000	SCREW [COVER >> MOTOR CASE]	806113	2		
1220		271770107035000000	GASKET [COVER >> UPPER BEARING HOLDER]		1		
1225		230657127859	UPPER BEARING HOLDER		1		
1235		2729062030200000	UPPER BEARING	711360 OR 802083	1		
1240		2729063050400000	LOWER BEARING	710969	1		
1245		231017128568	MOTOR CASE		1		
1250		271770040952620000	GASKET [UPPER BEARING]		1		
1256		271770117018000000	GASKET [MOTOR CASE >> PUMP PLATE]		1		
1275		23915068024027857	LOWER BEARING FLANGE		1		
1278		2703207002000000	SEEGER [LOWER BEARING FLANGE]		1		
1280		271770057026000000	GASKET [LOWER BEARING FLANGE]		1		
1286		2703302501000000	SEEGER [LOWER BEARING >> LOWER BEARING FLANGE]	802101	1		
1290		270220250352000000	DISTANCE RING [LOWER BEARING]	802311	1		
1410		270139510104000003	CAP [OIL CHAMBER]		1		
1450		230005040180000000	MECHANICAL SEAL	802308	1		
1455		2703204502000000	SEEGER [1st MECHANICAL SEAL >> 2nd MECHANICAL SEAL]		1		
1462		270532021059027898	RING [MECHANICAL SEAL]		1		
1500		236211601827335	PUMP PLATE		1		
1502		2750910827133	GASKET [PUMP PLATE]		1		
1503		270830610143200000	SCREW [PUMP PLATE >> MOTOR CASE]	806113	2		
1510		237970160220600000	V-RING [PUMP PLATE]		1		
1530		270830810163200000	SCREW [PUMP PLATE >> PUMP BODY]	802318	3		
1600		2302349122EX27340	SHAFT WITH ROTOR		1		

1610	231103120001000000	WOUND STATOR		1
1770	2500000001800072	GROUND CABLE CONNECTOR		1
1800	21251516015126947	PUMP BODY		1
1805	21411GR143NN27952	IMPELLER	806121	1
1870	211720624144	CUTTING DISK		1
1871	211630824027	CHOPPER KNIFE		1
1872	270830610503200000	LOCKING CHOPPER KNIFE		1
1873	270620120180200000	WASHER [CHOPPER KNIFE ]	711051	4
1874	270830610121200000	SCREW [CUTTING DISK >> PUMP BODY]	802089	3